



# Stream™ Corner | Linear

INSTALLATION INSTRUCTIONS

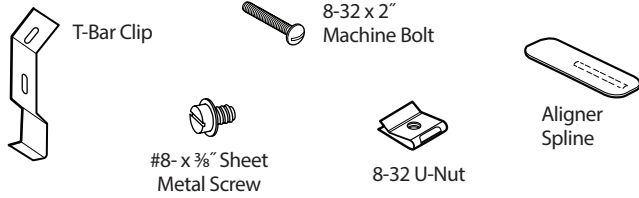


PRUDENTIAL LTG.

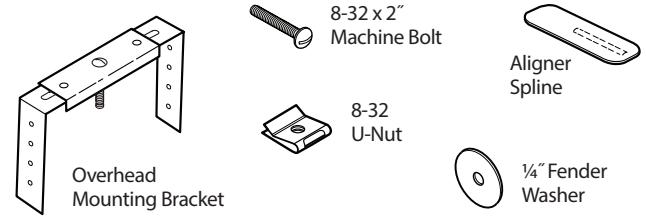
PRULITE.COM 213.746.0360

## GENERAL INSTALLATION

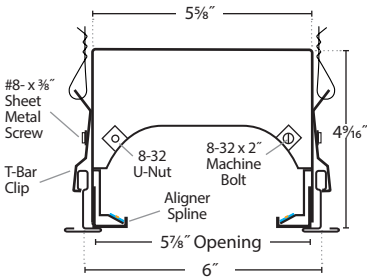
### X1 PARTS



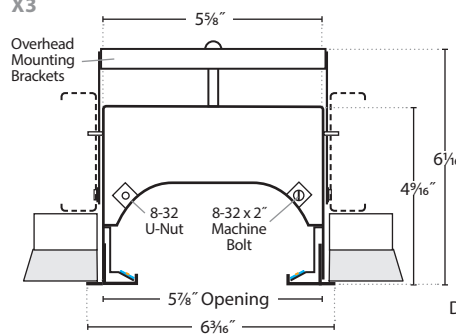
### X3 /X7 PARTS



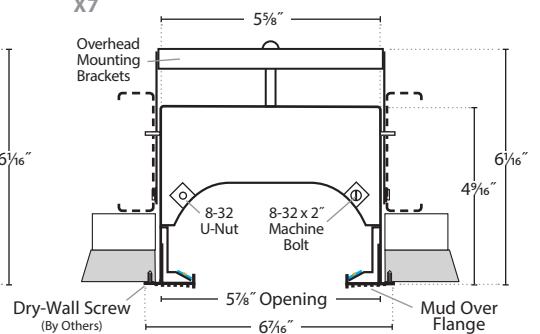
### X1



### X3

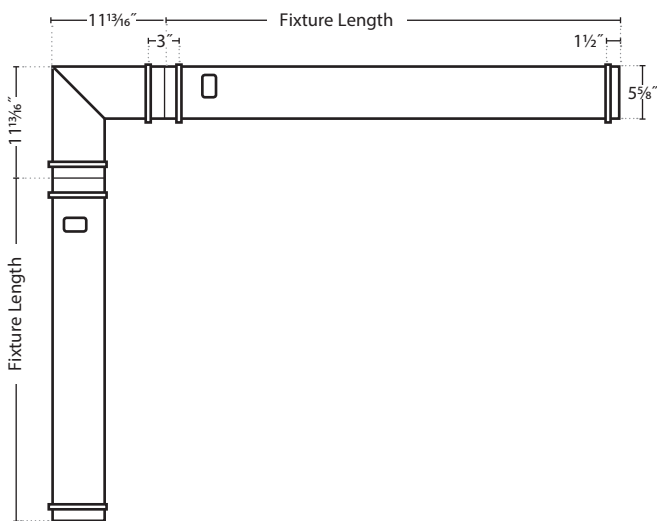


### X7



## GENERAL NOTES

1. Length of ceiling opening is fixture row plus 1/8" on each end.

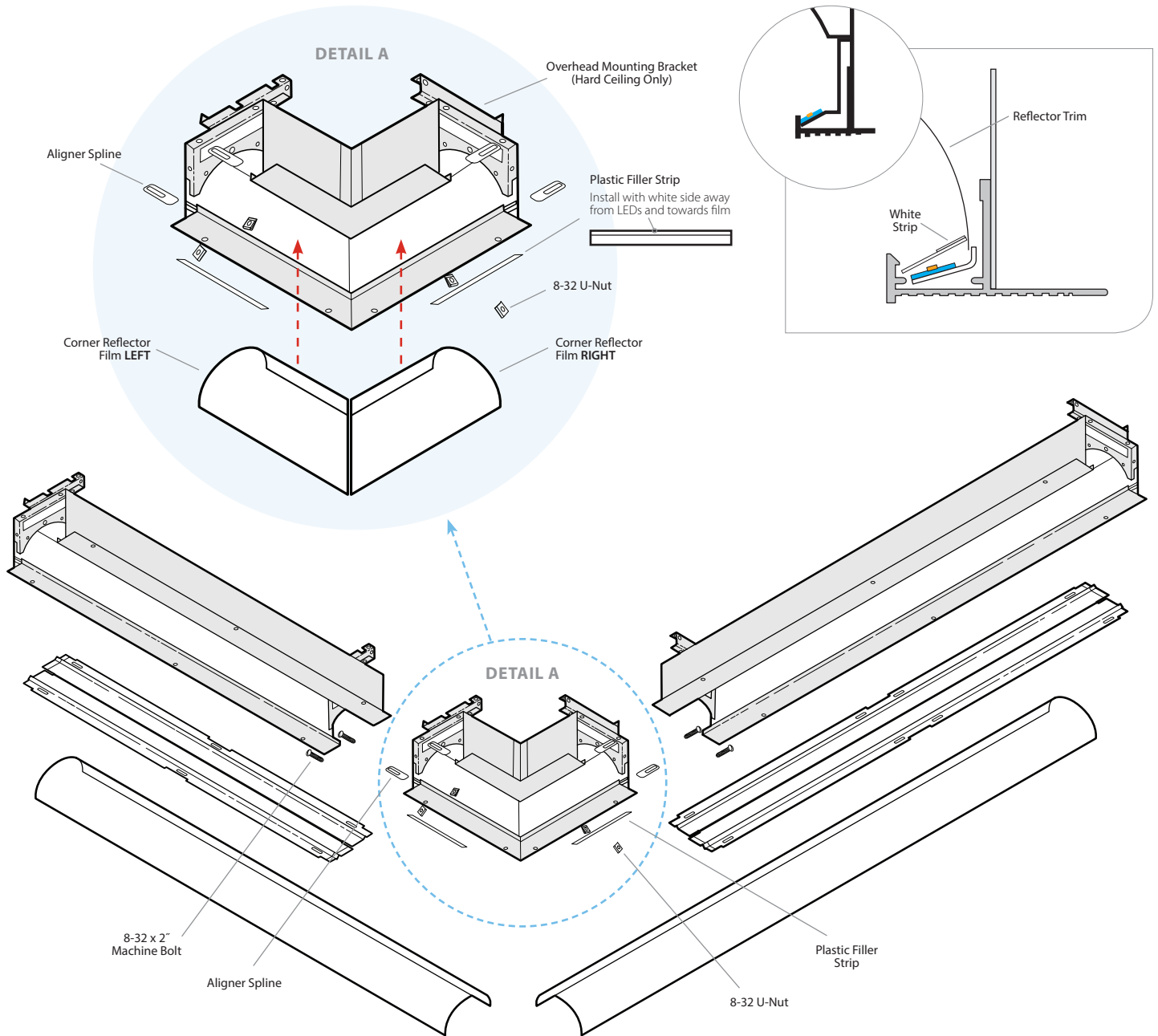


**WARNING:** Ground fixture in accordance with local and national electrical codes. Failure to do so may result in serious personal injury.



### CORNER INSTALLATION STEPS

1. Install corner body into ceiling.
2. Remove driver covers from adjoining fixtures. Join fixtures to corner with 2x #8 screws, 2x u-nuts, and 2x aligner splines at each joint. Reinstall driver covers on adjoining fixtures.
3. Wearing gloves, install corner reflector film pieces (Texture side facing out) and adjust until line between film pieces is minimal.
4. Wearing gloves, install long film in both adjoining rows (runs into corner fixture).
5. Install 2x plastic fillers over inset LED boards in long sides of corner. Insert excess length under LED boards in adjoining fixtures. Install with white side away from LEDs and toward film.



**WARNING:** Ground fixture in accordance with local and national electrical codes. Failure to do so may result in serious personal injury.

