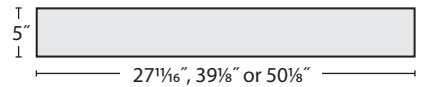


Type:

Job:



**“Pretty much the P4000 SKY, but square”**

Sleek and seamless Euro-styled body and lens with 5” height and sharp .5” trim detail. 4” aperture lens for O, C and Quad Frame. All with seamless and evenly lit flat white acrylic lenses and independent upright.

**QUAD-40-LED35-HO-D1**  
 31997 Delivered Lumens  
 364 Watts  
 88 lm/w  
 3500 CCT

**LUMEN OUTPUT:  
Direct (D1)**

	LO	MO	SO	HO
<b>QD-14:</b> lm/w	2100	3000	4500	7500
	28	40	60	100
<b>QD-22:</b> lm/w	2350	3300	4800	7800
	28	40	60	100
<b>QD-24:</b> lm/w	4400	6300	9500	14700
	62	75	136	181
<b>QD-33:</b> lm/w	5700	7800	11400	17900
	63	90	135	218
<b>QD-44:</b> lm/w	10500	15000	21700	31900
	112	160	240	364



Lumen output may vary +/- 5%  
 3500K used for lm/ft estimates above  
 4000K +2% llf, 3000K -2%, 2700K -4%

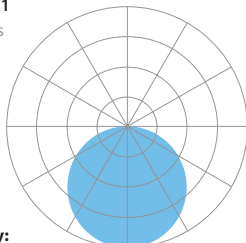
See LED Details PDF for more info

SERIES	LED COLOR	OUTPUT	SHIELDING	COLOR/ FINISH	DISTRIBUTION	CIRCUITING	VOLTAGE	MOUNTING	CEILING SYSTEMS	DRIVERS	OPTIONS
QD-14 1' x 4'	LED3 3000K	LO Low	FWA White Acrylic Lens (Flat)	TMW Textured Matte White (Standard)	D1 Direct Solid Top	SC Single Circuit	UNV (120-277)	SUR Surface Mount (1" Standoff from ceiling, NA with T-bar)	X1 T-Bar 15/16" or 9/16" Exposed (Standard) Consult factory for 3/8" Tegular	ND Non-Dimming	EML* Emergency Battery, Low (400 delivered lumens)
QD-22 2' x 2'	LED35 3500K	MO Medium		YGW Gloss White	NOTE: Only 1 row of LEDs	DC Dual Circuit (Two feeds required, D9 only)	347 (Emergen- cy battery requires a Step Down trans- former)	4PM Square 4 Point Mounting - 96" or 200" Cable (Min 18" from fixture to ceiling)	X3 Hard Ceiling	DM10 0-10v,10% Dimming (Standard)	EMH* Emergency Battery, High (550 delivered lumens)
QD-24 2' x 4'	LED4 4000K	SO Standard		Y Premium Color	D9 Semi- Direct		NOTE: 4PM-X1/X6 requires additional part by others, www.ericco.com 512HDFM35	MPCA48", 96" or 144" Monopoint Mounting (Adj- 36" min from fixture to ceiling)	X6 Slot Grid or Interlude	DM01 0-10v, 1% Dimming	
QD-33 3' x 3'		HO High		CC Custom Color	NOTE: Only 1 row of LEDs, 17% Up, 83% Down. To specify more or less Uplight, see Output.			NOTE: Fixture may spin with air movement		STEP Step Dimming, 100-50-Off, Osram	*SUR - remote mount only, within 30' of fixture
QD-44 4' x 4'		PROG Program- mable Light Output (Specify desired lm or w/fixture)						CA48", 96" or 144" Aircraft Cable (Adjustable)		NOTE: Lumens and watts per foot may differ for STEP drivers, consult factory	IBC Insulated Braided Cord
		NOTES: Specify separate output Down / Up if desired eg. LO/HO (Low Down, High Up) Consult factory for upright lumen output QD-14:: NA LO or MO Uplight unless Downlight is same output level						SSC Top-Swivel Stem Mount (X3 only - Specify length)		LDE5 5%, Lutron (Ecosystem)	PRUBIN Meticulous Binning and Labeling every LED Board within a 2-Step MacAdams Ellipse
										LDE1 1%, Lutron (Soft Fade to Black, Ecosystem)	
										LTE 1% Forward Phase, 2 Wire, Lutron (120V only)	
										ECO 1% 0-10v, EldoLED	
										ECDA 1% DALI, EldoLED	
										SOLO 0.1% 0-10v, EldoLED (Dim to Dark)	
										SODA 0.1% DALI, EldoLED (Dim to Dark)	



**D1 DIRECT**

**QUAD-40-LED35-HO-D1**  
 31997 Delivered Lumens  
 364 Watts  
 88 lm/w  
 3500 CCT  
 Test  
 #102953252LAX-003



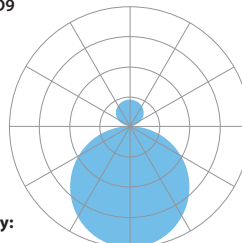
**Zonal Lumen Summary:**  
 0-90 = 100%

**11043**

Vertical Angle	0°	22.5°	45°	67.5°	90°
0°	11043	11043	11043	11043	11043
5°	11022	10987	10990	10996	11007
15°	10602	10600	10596	10604	10618
25°	9829	9828	9834	9846	9862
35°	8714	8719	8733	8757	8769
45°	7326	7344	7369	7389	7409
55°	5745	5743	5772	5792	5809
65°	4001	3996	4030	4059	4068
75°	2246	2252	2263	2287	2304
85°	639	653	651	670	677
90°	0	0	0	0	0

**D9 SEMI-DIRECT**

**QUAD-20-LED35-HO-D9**  
 9003 Delivered Lumens  
 110 Watts  
 82 lm/w  
 4000 CCT  
 Test  
 #102953252LAX-001



**Zonal Lumen Summary:**  
 0-90 = 83%  
 90-180 = 17%

**2613**

Vertical Angle	0°	22.5°	45°	67.5°	90°
0°	2613	2613	2613	2613	2613
5°	2601	2601	2600	2600	2599
15°	2503	2502	2501	2500	2500
25°	2317	2317	2314	2312	2311
35°	2053	2052	2048	2043	2044
45°	1722	1723	1718	1712	1710
55°	1344	1343	1338	1332	1329
65°	938	936	931	926	925
75°	530	528	523	520	521
85°	154	154	150	150	152
90°	74	76	66	35	9
95°	101	95	74	48	33
115°	214	207	188	166	165
125°	282	278	260	242	240
135°	354	348	336	315	314
145°	415	409	400	390	389
155°	464	459	453	447	444
165°	497	495	491	488	487
175°	514	513	511	511	512
180°	514	514	514	514	514

**LUMEN OUTPUT:  
 Direct/Semi-Indirect (D9)**

D1 LUMEN  
 OUTPUT ON  
 PAGE 1

	LO	MO	SO	HO
<b>QD-14:</b> lm/w	2700	3800	5700	9500
	34	48	72	120
<b>QD-22:</b> lm/w	2850	3900	5700	9000
	32	46	69	110
<b>QD-24:</b> lm/w	5600	8100	12000	18500
	68	98	146	226
<b>QD-33:</b> lm/w	7000	9900	14400	23000
	75	108	162	270
<b>QD-44:</b> lm/w	11800	17000	24750	36000
	127	182	272	426

**LUMEN MAINTENANCE**

Designed to last with cool running mid-power LEDs projected to maintain 90% (L90) of their initial output for 100,000 hours (at HO), and L70 exceeding 150,000 hours.

**LED SYSTEM**

LED modules and drivers are field replaceable.

**PROG**  
(OPTIONAL)

Programmable light output. Specify desired lumens or watts, consult factory for min and max on Sky Oculus Series.

**BINNING**

Standard binning (all Prudential LED boards) includes testing at the chip level and board integration to provide consistent color temperature within a 3-step MacAdams ellipse. +/- 100 lumens, +/- 100k CCT and +/- .004 Duv

**PRUBIN™**  
(OPTIONAL)

Prudential Ltg's exclusive 'job binning' method that ensures color temperature consistency across all luminaires on a project. Meticulously testing and labeling **EVERY LED BOARD** to +/- 25 lumens, +/- 50k CCT and +/- .004 Duv — while also separating positive from negative — allows us to match color, hue and intensity throughout a project and provides a consistent color temperature within a 2-step MacAdams ellipse

**LABELS**

ETL damp labeled and I.B.E.W. manufactured.

**ELECTRICAL**

Must specify LED dimming controls. LED fixtures have constant current driver(s) with less than 20% THD when loaded to a minimum of 60%. Drivers sink a maximum of 6mA per driver. DM10 LED drivers are 0-10V dimmable and are compatible with most 0-10V wall slide dimmers and direct 0-10V analog signal dimmers.

**CONSTRUCTION**

Housing	Extruded aluminum, >25% PC recycled, 100% recyclable
Lens	Flat acrylic, 100% recyclable
Weight	QD-14 + QD-22: 29 lbs QD-24 + QD-33: 47 lbs QD-44: 62 lbs

**MOUNTING**

Surface or suspended by aircraft cables, top-swivel stems

**WARRANTY**

Single-source, 5 year limited warranty covers standard components and construction.

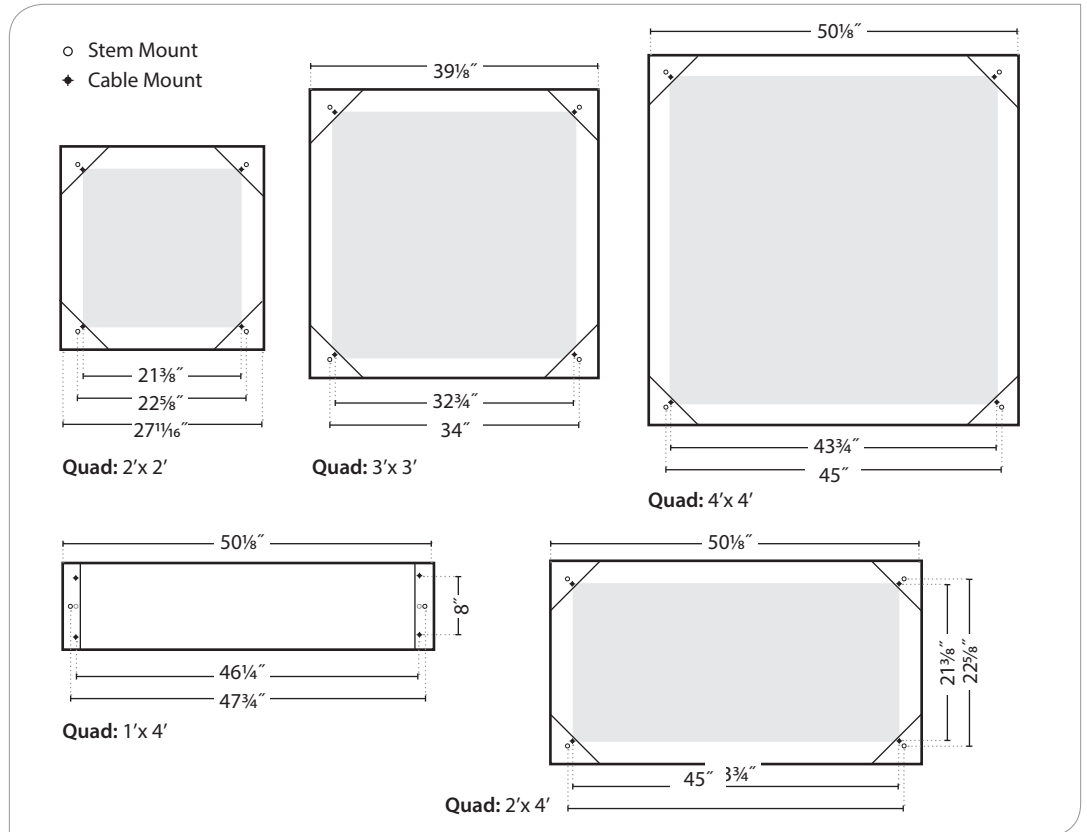




YSW – Seashell White (Matte)	YCH – Champagne (Metallic)
YSL – Silver (Metallic)	YPE – Pewter (Matte)
YRG – Rain Grey (Gloss)	YSTM – Storm Grey (Matte)
YBK – Black (Matte)	YBB – Black (Semi Gloss)
YSKM – Sky (Matte)	YMB – Military Blue (Matte)
YIB – Interstate Blue (Matte)	YSAM – Sapphire (Matte)
YFGM – Forest Green (Matte)	YBR – Bronze (Matte)
YBY – Boysenberry (Matte)	YSRM – Sunset Red (Matte)
YOR – Orange (Matte)	YDAM – Daffodil (Matte)



**MOUNTING LOCATIONS**



**MOUNTING OPTIONS**

