



# Quad Frame | Pendant & Surface

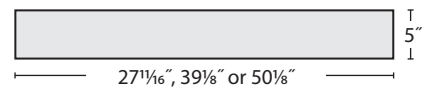
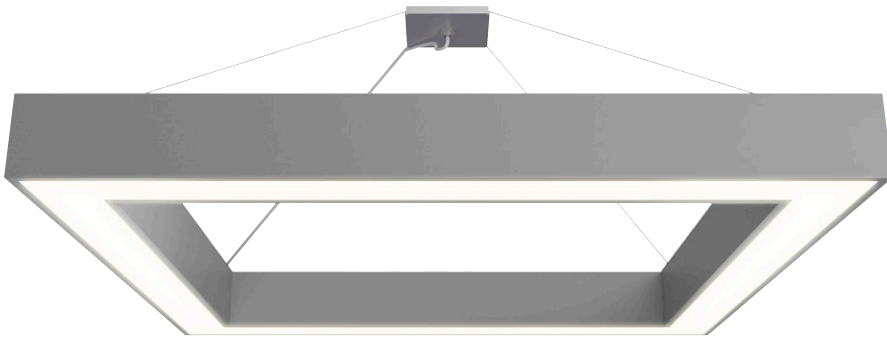


PRUDENTIAL LTG.

PRULITE.COM 213.746.0360

Type:

Job:



### Prefabricated patterns.

Sleek and seamless Euro-styled body and lens with 5" height and sharp .5" trim detail. 4" aperture lens for O, C and Quad Frame. All with seamless and evenly lit flat white acrylic lenses and independent upright.

**QDF-33-LED35-SO-FWA-D1**  
6063 Delivered Lumens  
102 Watts  
LIGHT LABS TEST  
#102999977LAX-001

### LUMEN OUTPUT: Direct (D1)

	LO	MO	SO	HO
<b>QDF-22:</b>	Im 1950	2500	4100	5200
	w 30	40	68	88
<b>QDF-33:</b>	Im 2950	3750	6300	7800
	w 45	60	102	132
<b>QDF-44:</b>	Im 4000	5000	8300	10300
	w 61	80	136	176



Lumen output may vary +/- 5%  
3500K used for lm/ft estimates above  
4000K +2% If, 3000K -2%, 2700K -4%

See LED Details PDF for more info

SERIES	LED COLOR	OUTPUT	SHIELDING	COLOR/FINISH	DISTRIBUTION	CIRCUITING	VOLTAGE	MOUNTING	CEILING SYSTEMS	DRIVERS	OPTIONS
QDF-22 2' x 2'	LED3 3000K	LO Low	FWA Flat White Acrylic Lens	TMW Textured Matte White (Standard)	D1 Direct Solid Top	SC Single Circuit	UNV (120-277)	SUR Surface Mount (1" Standoff from ceiling, NA with T-bar)	X1 T-Bar 1 1/16" or 1/16" Exposed (Standard) Consult factory for 3/8" Tegular	ND Non-Dimming  DM10 0-10v, 10% Dimming (Standard)  DM01 0-10v, 1% Dimming	EML* Emergency Battery, Low (400 delivered lumens)
QDF-33 3' x 3'	LED35 3500K	MO Medium		YGW Gloss White	D9 Semi- Direct	DC Dual Circuit (Two feeds required, D9 only) To specify more or less Up- light, see Output.	347 (Emergen- cy battery requires a Step Down trans- former)	4PM Square 4 Point Mounting - 96" or 200" Cable (Min 18" from fixture to ceiling) <b>NOTE:</b> 4PM-X1/X6 requires additional part by others, <a href="http://www.ericco.com">www.ericco.com</a> 512HDFM35	X3 Hard Ceiling  X6 Slot Grid or Interlude	STEP Step Dimming, 100-50-Off, Osram <b>NOTE:</b> Lumens and watts per foot may differ for STEP drivers, consult factory	EMH* Emergency Battery, High (550 delivered lumens)
QDF-44 4' x 4' (60 lbs)	LED4 4000K	SO Standard  HO High  PROG Program- mable Light Output (Specify desired lm or w/fixture)		Y___ Premium Color  CC Custom Color  <b>NOTE:</b> All canopies are painted the same color as the fix- ture. Consult factory to specify				MPCA48", 96" or 144" Monopoint Mounting (Adj- 36" min from fixture to ceiling) <b>NOTE:</b> Fixture may spin with air movement  CA48", 96" or 144" Aircraft Cable (Adjustable)  SSC___ Top-Swivel Stem Mount (X3 only - Specify length)		LDE5 5%, Lutron (Ecosystem)  LDE1 1%, Lutron (Soft Fade to Black, Ecosystem)  LTE 1% Forward Phase, 2 Wire, Lutron (120V only)  ECO 1% 0-10v, EldoLED  ECDA 1% DALI, EldoLED  SOLO 0.1% 0-10v, EldoLED (Dim to Dark)  SODA 0.1% DALI, EldoLED (Dim to Dark)	*SUR -remote mount only, within 30' of fixture  IBC Insulated Braided Cord  PRUBIN Meticulous Binning and Labeling every LED Board within a 2-Step MacAdams Ellipse



Prudential Ltg. reserves the right to change design specifications or materials without notice. Please visit [prulite.com](http://prulite.com) for most current data.  
© 2014 All rights reserved - All products manufactured at: Prudential Ltg. 1774 E. 21st Street, Los Angeles, CA 90058

Pendant

1

11-28-2018



## D1

### Low Output:

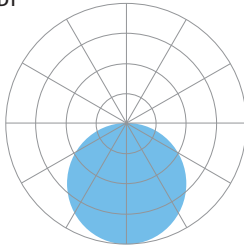
QDF-33-LED35-SO-FWA-D1

6063 Delivered Lumens

102 Watts

LIGHT LABS TEST

#102999977LAX-001



### Zonal Lumen Summary:

0-90 = 100%

1225

Vertical Angle	0°	25°	45°	65°	90°
0°	2080	2080	2080	2080	2080
5°	2078	2069	2069	2068	2075
15°	2005	1996	1995	1994	2001
25°	1862	1854	1851	1850	1850
35°	1658	1650	1646	1644	1648
45°	1399	1393	1387	1386	1391
55°	1103	1096	1089	1087	1092
65°	777	769	764	761	767
75°	445	438	435	433	440
85°	138	134	133	132	135
90°	0	0	0	0	0

## D9

### Standard Output:

QDF-33-LED35-SO-FWA-D9

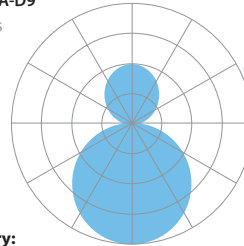
7947 Delivered Lumens

122 Watts

65 lm/w

INTERTEK TEST

#102999977LAX-002



### Zonal Lumen Summary:

0-90 = 100%

1968

Vertical Angle	0°	22.5°	45°	67.5°	90°
0°	1968	1968	1968	1968	1968
5°	1958	1657	1959	1957	1956
15°	1882	1881	1882	1880	1879
25°	1741	1740	1739	1737	1735
35°	1543	1541	1540	1537	1535
45°	1295	1293	1289	1286	1285
55°	1008	1006	1002	1000	1000
65°	704	698	694	696	699
75°	392	387	385	384	386
85°	104	101	102	101	100
90°	0	0	0	0	0
95°	31	32	33	33	33
115°	258	258	260	260	259
125°	399	399	400	400	399
135°	543	545	547	546	547
145°	689	688	693	689	689
155°	811	811	814	812	811
165°	897	895	899	896	897
175°	941	941	944	942	943
180°	949	949	949	949	949

### LUMEN OUTPUT: Direct/Semi-Indirect (D9)

D1 ON  
PREVIOUS  
PAGE

		LO	MO	SO	HO
QDF-22:	lm	2500	3200	5300	6600
	w	36	48	81	105
QDF-33:	lm	3500	4650	8000	10000
	w	54	72	122	158
QDF-44:	lm	4700	6250	10500	13600
	w	73	96	163	211

## LUMEN MAINTENANCE

Designed to last with cool running mid-power LEDs projected to maintain 90% (L90) of their initial output for 100,000 hours (at HO), and L70 exceeding 150,000 hours.

## LED SYSTEM

LED modules and drivers are field replaceable.

## PROG

(OPTIONAL)

Programmable light output. Specify desired lumens or watts, consult factory for min and max on Sky Oculus Series.

## BINNING

Standard binning (all Prudential LED boards) includes testing at the chip level and board integration to provide consistent color temperature within a 3-step MacAdams ellipse. +/- 100 lumens, +/- 100k CCT and +/- .004 Duv

## PRUBIN™

(OPTIONAL)

Prudential Ltg's exclusive 'job binning' method that ensures color temperature consistency across all luminaires on a project. Meticulously testing and labeling EVERY LED BOARD to +/- 25 lumens, +/- 50k CCT and +/- .004 Duv — while also separating positive from negative — allows us to match color, hue and intensity throughout a project and provides a consistent color temperature within a 2-step MacAdams ellipse

## LABELS

ETL damp labeled and I.B.E.W. manufactured.

## ELECTRICAL

Must specify LED dimming controls. LED fixtures have constant current driver(s) with less than 20% THD when loaded to a minimum of 60%. Drivers sink a maximum of 6mA per driver. DM10 LED drivers are 0-10V dimmable and are compatible with most 0-10V wall slide dimmers and direct 0-10V analog signal dimmers.

## CONSTRUCTION

Housing	Extruded aluminum, >25% PC recycled, 100% recyclable
Lens	Flat acrylic, 100% recyclable
Weight	QDF-22: 28 lbs QDF-33: 45 lbs QDF-44: 60 lbs

## MOUNTING

Surface or suspended by aircraft cables, top-swivel stems

## WARRANTY

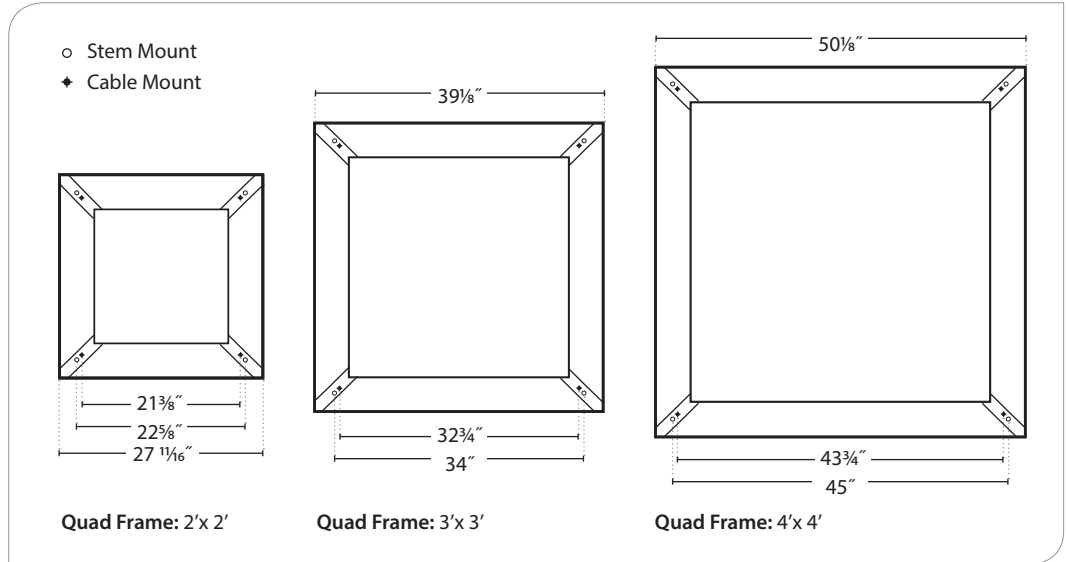
Single-source, 5 year limited warranty covers standard components and construction.



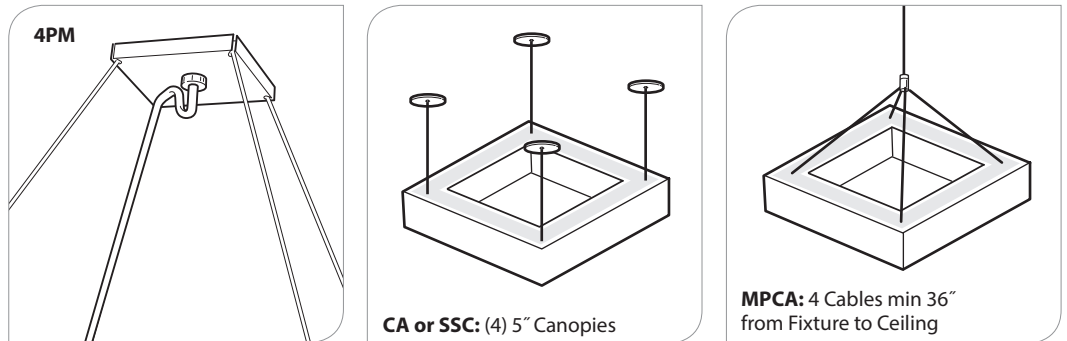


YSW – Seashell White (Matte)	YCH – Champagne (Metallic)
YSL – Silver (Metallic)	YPE – Pewter (Matte)
YRG – Rain Grey (Gloss)	YSTM – Storm Grey (Matte)
YBK – Black (Matte)	YBB – Black (Semi Gloss)
YSKM – Sky (Matte)	YMB – Military Blue (Matte)
YIB – Interstate Blue (Matte)	YSAM – Sapphire (Matte)
YFGM – Forest Green (Matte)	YBR – Bronze (Matte)
YBY – Boysenberry (Matte)	YSRM – Sunset Red (Matte)
YOR – Orange (Matte)	YDAM – Daffodil (Matte)

### MOUNTING LOCATIONS



### MOUNTING OPTIONS



Choose from one of our Premium Colors with no set-up fee.

For paint chip samples, please email: [info@prulite.com](mailto:info@prulite.com)

