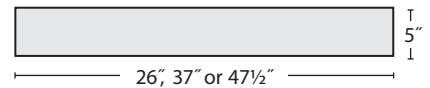


Type:

Job:



“The not-quite-a-circle shape, just for kicks”

Sleek and seamless Euro-styled body and lens with 5” height and sharp .5” trim detail. 4” aperture lens for O, C and Quad Frame. All with seamless and evenly lit flat white acrylic lenses and independent uplight.

C-30-LED35-LO-D1
 3197 Delivered Lumens
 1604 Watts
 66 lm/w
 LIGHT LABS
 #102948172LAX-002

**LUMEN OUTPUT:
Direct (D1)**

	LO	MO	SO	HO
C-20: lm/w	1000 16	1375 21	3200 35	4000 46
C-30: lm/w	1600 24	2000 31	3300 53	4100 69
C-40: lm/w	2100 32	2700 41	4450 70	5700 91



Lumen output may vary +/- 5% 3500K used for lm/ft estimates above 4000K +2% llf, 3000K -2%, 2700K -4% -10% llf for 90 CRI (4K, 3500K and 3K)

See LED Details PDF for more info

SERIES	LED COLOR	OUTPUT	SHIELDING	COLOR/FINISH	DISTRIBUTION	CIRCUITING	VOLTAGE	MOUNTING	CEILING SYSTEMS	DRIVERS	OPTIONS
C-20 2' Dia.	LED27 2700K (90CRI)	LO Low	FWA Flat White Acrylic Lens	TMW Textured Matte White (Standard)	D1 Direct Solid Top NOTE: Only 1 row of LEDs	SC Single Circuit	UNV (120-277)	SUR Surface Mount (1" Standoff from ceiling, NA with T-bar)	X1 T-Bar 15/16" or 9/16" Exposed (Standard) Consult factory for % Tegular	ND Non-Dimming DM10 0-10v, 10% Dimming (Standard) DM01 0-10v, 1% Dimming	EML* Emergency Battery, Low (400 delivered lumens, available in 4' only, unless remote)
C-30 3' Dia.	LED3 3000K	MO Medium		YGW Gloss White	D9 Semi- Direct NOTE: Only 1 row of LEDs, 17% Up, 83% Down	DC Dual Circuit (Two feeds required, D9 only)	(Emergency battery requires a Step Down trans- former)	MPCA48", 96" or 144" Monopoint Mounting (18" min from fixture to ceiling) NOTE: Fixture may spin with air movement	X3 Hard Ceiling	STEP Step Dimming, 100-50-Off, Osram NOTE: Lumens and watts per foot may differ for STEP drivers, consult factory	EMH* Emergency Battery, High (550 delivered lumens)
C-40 4' Dia.	LED35 3500K	HO High		Y Premium Color				CA48", 96" or 144" Aircraft Cable (Adjustable)	X6 Slot Grid or Interlude	LDE5 5%, Lutron (Ecosystem)	IBC Insulated Braided Cord
	LED4 4000K	PROG Programmable Light Output (Specify desired lm or w/fixture)		CC Custom Color NOTE: All canopies are painted the same color as the fixture. Consult factory to specify				SSC Top- Swivel Stem Mount (X3 only - Specify length)		LDE1 1%, Lutron (Soft Fade to Black, Ecosystem) LTE 1% Forward Phase, 2 Wire, Lutron (120v only) ECO 1% 0-10v, EldoLED ECDA 1% DALI, EldoLED SOLO 0.1% 0-10v, EldoLED (Dim to Dark) SODA 0.1% DALI, EldoLED (Dim to Dark)	PRUBIN Meticu- lous Binning and Labeling every LED Board within a 2-Step MacAd- ams Ellipse *SUR-remote mount only, within 30' of fixture
	LED3-90 90CRI	NOTES: Specify separate output Down / Up if desired eg. LO/HO (Low Down, High Up) Consult factory for uplight lumen output									
	LED35-90 90CRI	C-20: NA LO or MO Uplight unless Downlight is same output level									
	LED4-90 90CRI										



DIRECT

Low Output:

C-30-LED35-LO-D1

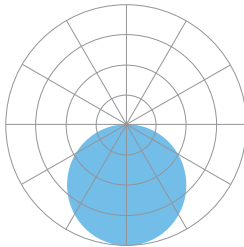
3197 Delivered Lumens

1604 Watts

66 lm/w

Test

#102948172LAX-002



555

Zonal Lumen Summary:
0-90 = 100%

Vertical Angle	0°	22.5°	45°	67.5°	90°
0°	555	555	555	555	555
5°	555	553	552	552	552
15°	535	533	532	532	532
25°	497	495	493	493	493
35°	441	439	438	438	438
45°	371	370	368	369	369
55°	292	290	288	288	288
65°	205	202	201	201	202
75°	116	114	113	113	115
85°	33	32	32	32	33
90°	0	0	0	0	0

SEMI-DIRECT

Low Output:

C-40-LED35-LO-D9

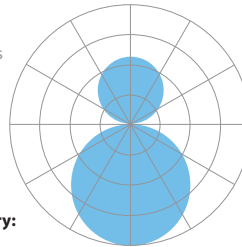
3098 Delivered Lumens

41 Watts

75 lm/w

Test

#102948172LAX-003



723

Zonal Lumen Summary:
0-90 = 67%
90-180 = 33%

Vertical Angle	0°	22.5°	45°	67.5°	90°
0°	721	721	721	721	721
5°	722	723	718	714	715
15°	693	694	690	688	688
25°	642	644	640	638	637
35°	570	570	567	567	565
45°	478	478	476	477	475
55°	373	373	371	371	371
65°	262	259	261	258	259
75°	149	147	147	146	148
85°	154	154	150	150	152
90°	3	3	4	5	5
95°	11	12	11	12	11
115°	114	114	112	110	112
125°	175	176	174	174	175
135°	239	240	238	238	240
145°	271	271	269	271	272
155°	354	355	353	354	354
165°	393	394	391	391	392
175°	413	413	411	411	412
180°	415	415	415	415	415

LUMEN OUTPUT:
Direct/Semi-Direct (D9)

D1 ON PREVIOUS PAGE

		LO	MO	SO	HO
C-20:	lm/w	1550	2000	3200	4000
		21	28	47	62
C-30:	lm/w	2600	3200	5300	6800
		35	44	74	97
C-40:	lm/w	3100	3900	6300	8000
		42	54	91	118

LUMEN MAINTENANCE

Designed to last with cool running mid-power LEDs projected to maintain 90% (L90) of their initial output for 100,000 hours (at HO), and L70 exceeding 150,000 hours.

LED SYSTEM LED modules and drivers are field replaceable.

PROG (OPTIONAL) Programmable light output. Specify desired lumens or watts per linear foot. Min: 2½ w/ft, consult factory for requests above 12 w/ft.

BINNING Standard binning (all Prudential LED boards) includes testing at the chip level and board integration to provide consistent color temperature within a 3-step MacAdams ellipse, with +/- 5% lumen output range and +/- .004 Duv.

PRUBIN™ (OPTIONAL) Prudential Ltg's exclusive 'job binning' method that ensures color temperature consistency across all luminaires on a project. Meticulously testing and labeling **EVERY LED BOARD** to +/- 25 lumens, +/- 50k CCT and +/- .004 Duv — while also separating positive from negative — allows us to match color, hue and intensity throughout a project and provides a consistent color temperature within a 2-step MacAdams ellipse.

LABELS

ETL damp labeled and I.B.E.W. manufactured.

ELECTRICAL

Must specify LED dimming controls. LED fixtures have constant current driver(s) with less than 20% THD when loaded to a minimum of 60%. Drivers sink a maximum of 6mA per driver. DM10 LED drivers are 0-10V dimmable and are compatible with most 0-10V wall slide dimmers and direct 0-10V analog signal dimmers.

CONSTRUCTION

Housing Extruded aluminum, >25% PC recycled, 100% recyclable.

Lens Flat acrylic, 100% recyclable.

MOUNTING

Surface or suspended by aircraft cables, top-swivel stems.

WARRANTY

Single-source, 5 year limited warranty covers standard components and construction.

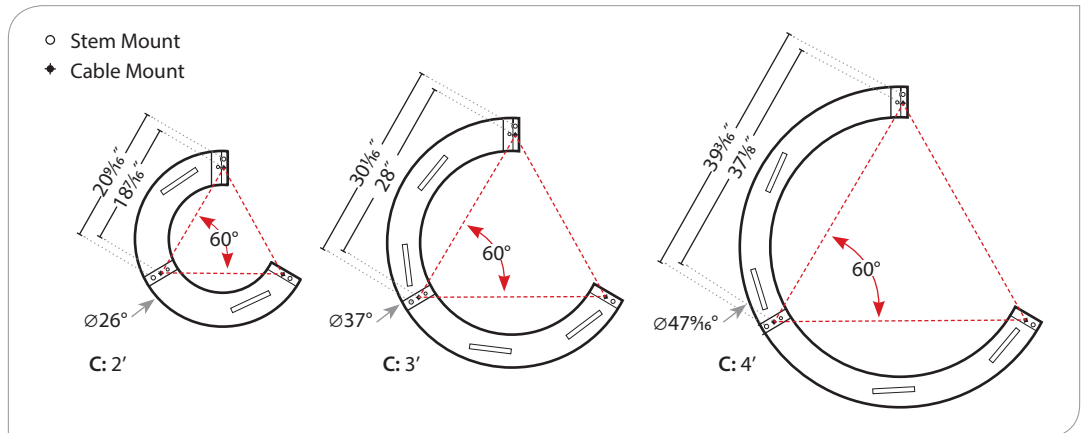




YSW – Seashell White (Matte)	YCH – Champagne (Metallic)
YSL – Silver (Metallic)	YPE – Pewter (Matte)
YRG – Rain Grey (Gloss)	YSTM – Storm Grey (Matte)
YBK – Black (Matte)	YBB – Black (Semi Gloss)
YSKM – Sky (Matte)	YMB – Military Blue (Matte)
YIB – Interstate Blue (Matte)	YSAM – Sapphire (Matte)
YFGM – Forest Green (Matte)	YBR – Bronze (Matte)
YBY – Boysenberry (Matte)	YSRM – Sunset Red (Matte)
YOR – Orange (Matte)	YDAM – Dafudoi (Matte)



MOUNTING LOCATIONS



Choose from one of our Premium Colors with no set-up fee.

For paint chip samples, please email: info@prulite.com

MOUNTING OPTIONS

