



INSTALLATION

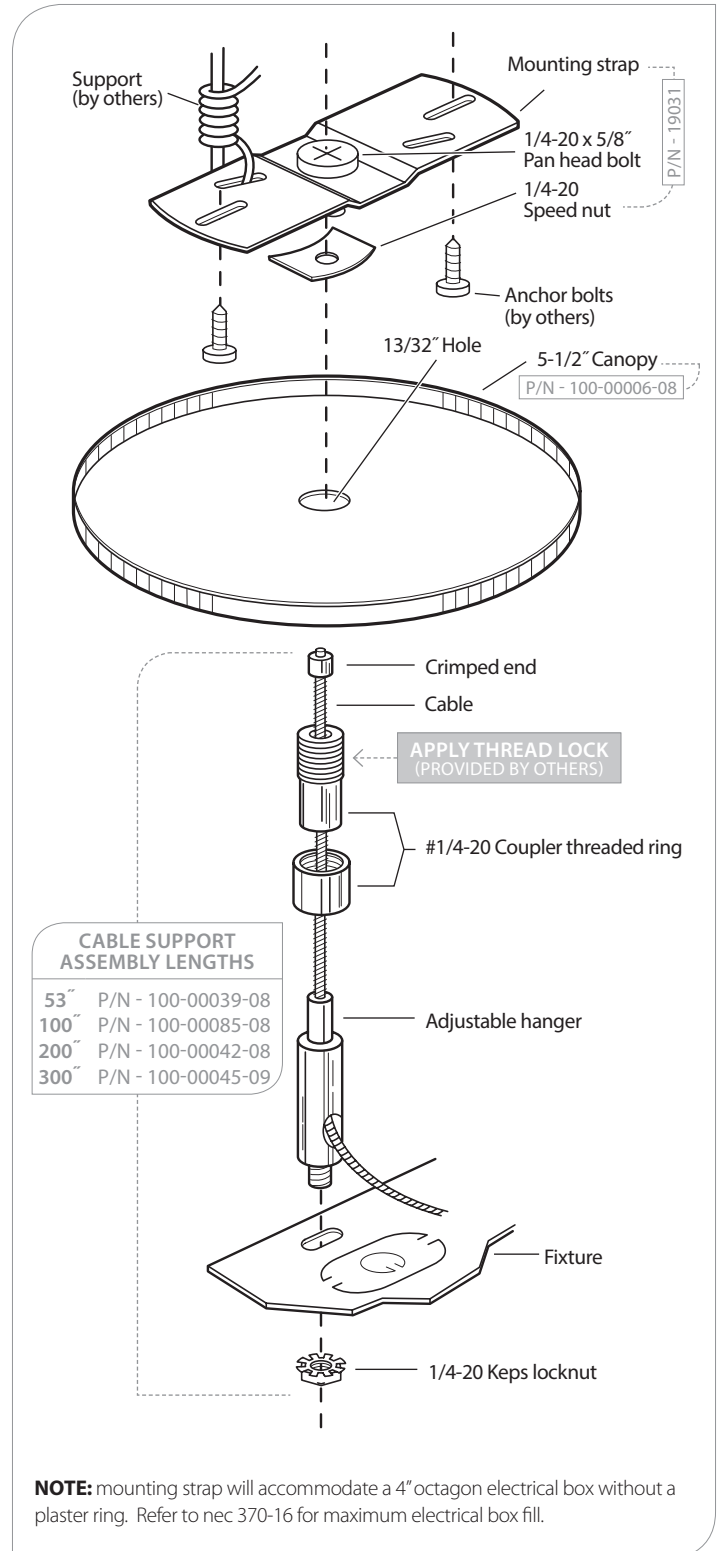
1. Anchor mounting straps to ceiling at cable locations. If mounting plan drawings is provided follow dimensions specified in row or pattern layout. (Contractor is to determine best anchoring hardware to be used in securing mounting strap to ceiling)
2. Insert non-crimped end of support cable through top threaded end of 1/4-20 coupling. Pull cable until crimp stops inside threaded end of coupling.
3. Push non-crimped end of cable through top (smooth end adjustable glider). Insert cable completely through glider. Glider will engage by pressing top smooth end down. Hold in place and pull back for adjustment.
4. Insert threaded barrel of adjustable glider through fixture. Securely attach glider to fixture with nutkeyslock (do not tighten with excessive force). Trim excess cable no less than 3" beyond cable outlet.
5. Unscrew threaded ring from top of 1/4-20 coupling. Insert 1/4-20 coupling through 13/32" dia. center hole on canopy and let threaded ring and canopy rest on fixture end. Lift coupling/cable to ceiling with fixture attached and thread 1/4-20 coupler onto strap bolt (be sure coupling is secure). Adjust cable to required distance from ceiling surface. Lift canopy against ceiling surface and secure in place with threaded ring.

Note: Depending on ceiling construction, reinforcement may be required at each mounting location.

CAUTION: Do not remove crimp from cable. Crimps are factory pressed onto cable for maximum strength. **Prudential Lighting will not be responsible for damage or injuries which occur due to cable/crimp alterations.** If different cable lengths are required, contact Prudential Lighting immediately.

PARTS LIST

19031	X3 mounting strap	1
100-00006-08	5-1/2" Dia. White Canopy	1
100-00039-08	53" Support cable and crimp	1
	1/4-20 Coupler and ring	1
	Adjustable glider	1
100-00085-08	100" Support cable and crimp	1
	1/4-20 Coupler and ring	1
	Adjustable glider	1
100-00042-08	200" Support cable and crimp	1
	1/4-20 Coupler and ring	1
	Adjustable glider	1



WARNING: Ground fixture in accordance with local and national electrical codes. Failure to do so may result in serious personal injury.



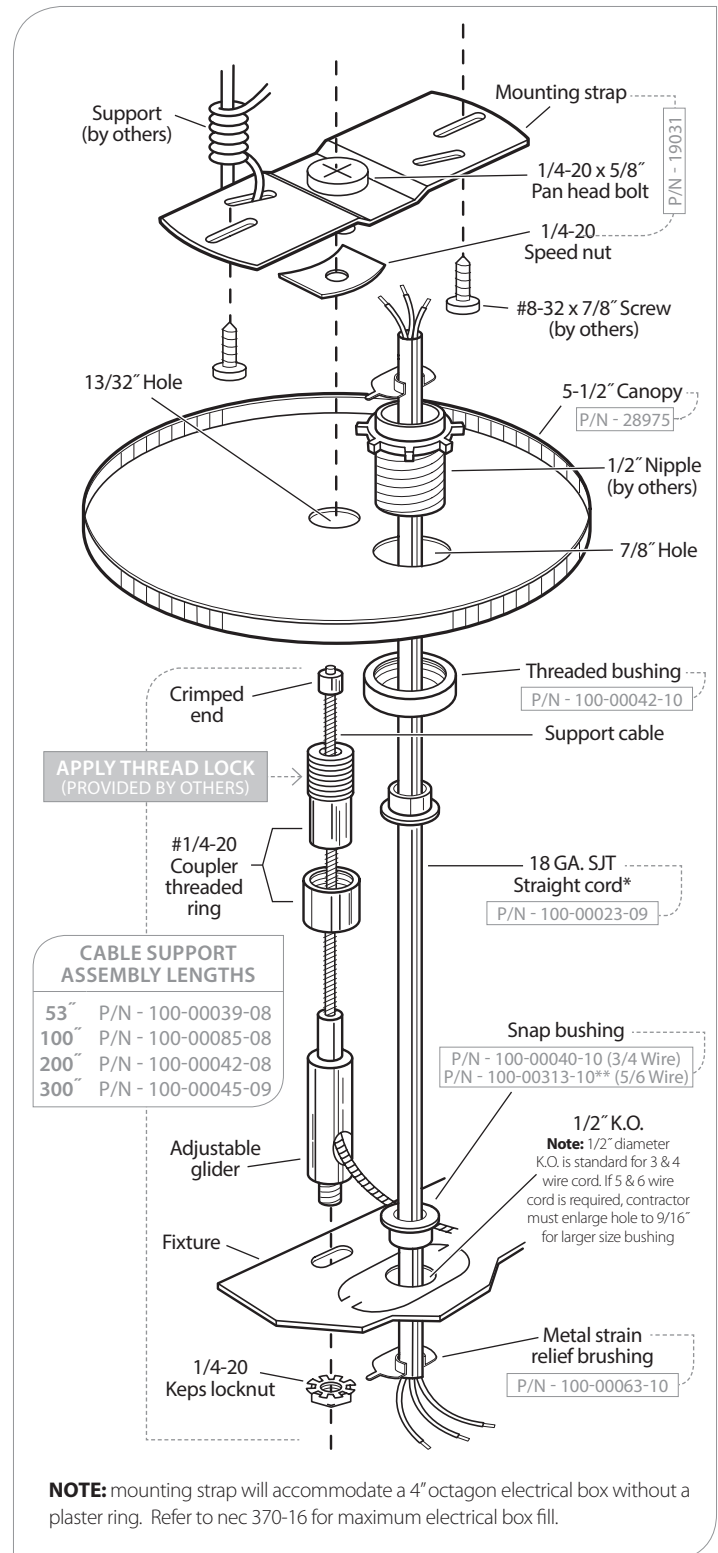
INSTALLATION

1. Use #8-32 x 7/8" screws (provided by others) to fasten the mounting strap to the J-box. If weight exceeds 50 pounds, reinforce mounting strap with support wire secured to structural material (support wire provided by others).
2. Insert non-crimped end of support cable through top threaded end of coupling. Pull cable until crimp stops inside threaded end of coupling, push non-crimped end of cable through top (smooth end of adjustable glider). Insert cable completely through glider. Glider will engage around cable to prevent slipping. Disengage glider by pressing top smooth end down. Hold in place and pull cable back for adjustment.
3. Insert threaded barrel of adjustable glider through fixture. Attach glider to fixture with lock washer and hex nut. (DO NOT TIGHTEN WITH EXCESSIVE FORCE) Trim excess cable no less than 3" beyond cable outlet.
4. Remove 1/2" round K.O. located on surface of fixture end. Contractor to field cut SJT cord at specified lengths and strip back a portion of outer insulation from one end of SJT cord (contractor to determine amount to be stripped). Insert stripped end of cord through snap bushing. Press snap bushing & cord into 1/2" round opening. Place metal strain relief bushing around cord under fixture end and crimp with pliers. Cord should be secured to fixture end. Insert top end of cord through universal bushing, and threaded bushing. Trim cord to required length and secure to canopy with strain relief through 1/2" nipple (provided by others). Make all wire connection.
5. Unscrew threaded ring from top of 1/4-20 coupling. Insert 1/4-20 coupling through center hole on canopy. Apply small amount of thread lock on mounting stud. Lift coupling/canopy, and fixture to mounting strap and screw coupling to bolt (be sure coupling is secure). Adjust cable to required distance from ceiling surface.

CAUTION: Do not remove crimp from cable. Crimps are factory pressed onto cable for maximum strength. **Prudential Lighting will not be responsible for damage or injuries which occur due to cable/crimp alterations.** If different cable lengths are required, contact Prudential Lighting immediately.

PARTS LIST

19031	X3 Mounting strap	1
28975	5-1/2" Dia White canopy	1
100-00040-10	White snap bushing	1
100-00313-10	White snap bushing 9/16" (5 wire option)**	1
100-00023-10	18 GA. 3 wire SJT cord	1
100-00063-10	Metal strain relief bushing	1
100-00042-10	Threaded bushing	1
100-00043-10	White universal bushing	1
100-00039-08	53" Support cable and crimp	1
	1/4-20 Coupler and ring	1
	Adjustable glider	1
100-00085-08	100" Support cable and crimp	1
	1/4-20 Coupler and ring	1
	Adjustable glider	1
100-00042-08	200" Support cable and crimp	1
	1/4-20 Coupler and ring	1
	Adjustable glider	1



WARNING: Ground fixture in accordance with local and national electrical codes. Failure to do so may result in serious personal injury.