



# Stream™ | Recessed Linear

## 2" & 4" Veiled Ambient Slot

### MAINTENANCE INSTRUCTIONS

#### REFLECTOR INSTALLATION

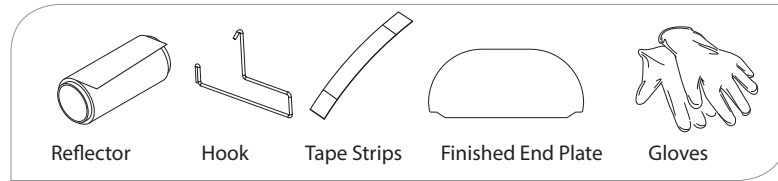


PRUDENTIAL LTG.

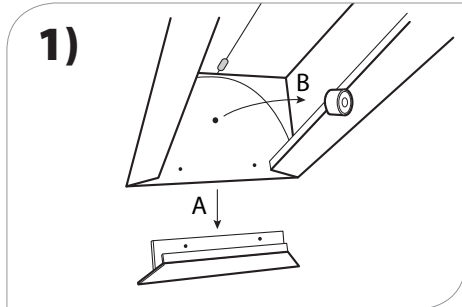
PRULITE.COM 213.746.0360

#### PLEASE READ THE FOLLOWING INSTRUCTIONS CAREFULLY:

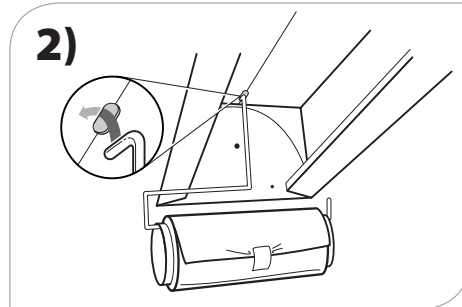
Test LEDs and confirm they are all lit before beginning Reflector install.



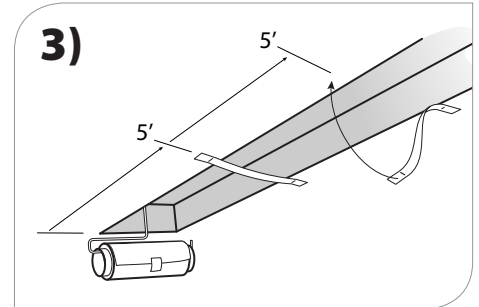
REFLECTOR  
INSTALLATION  
VIDEO



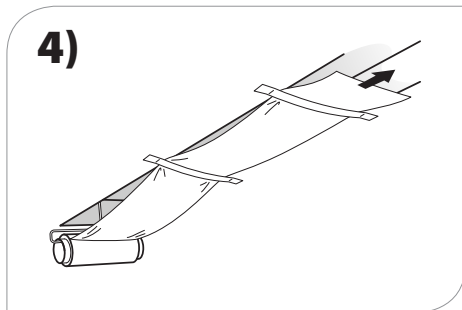
**1)** Remove trim (A) and magnet (B) from one end (do not remove A from X7 ceilings). If corners are provided, remove foam inserts.



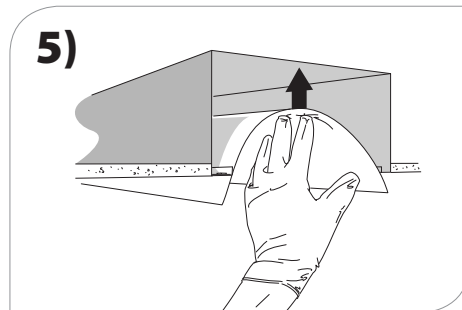
**2)** Hang reflector roll from same end using hook. **MATTE SIDE OF FILM WILL FACE DOWN** towards room when installed. (Skip this step on rows of 8' or less)



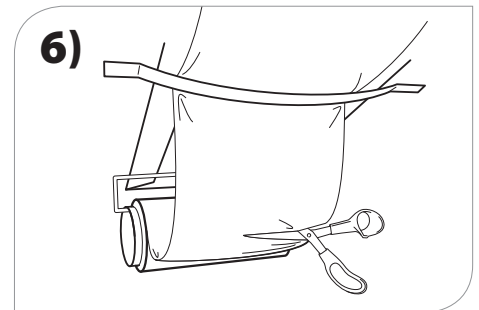
**3)** Apply tape strips provided about 5' apart along housing.  
**NOTE:** Wait at least 24 hours after painting before using tape strips.



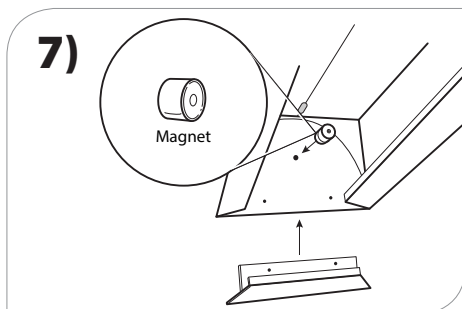
**4)** **USE GLOVES PROVIDED.** Pull reflector over entirety of housing row. Tighten roll to remove excess slack. Clamp roll to keep from unrolling.



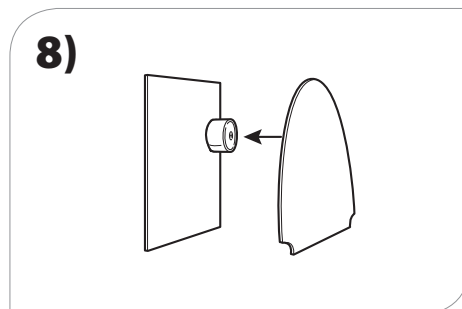
**5)** Push reflector into housing to proper position. Make sure no LED emitters are covered. Wire leads may need to be tucked away from emitters and reflector.



**6)** Cut reflector to fit — from side with excess reflector (hook & roll side). **DO NOT UNDER-CUT.** Make small cuts until reflector fits into housing, covering curved end plate.  
**For each corner:** Reflector should go into corner housing **3/8"** and overlap corner reflector **~1/4"**.



**7)** Reinstall magnet and trim (except on trimless X7 ceiling).



**8)** Install finish end plate to magnets on each end of row. Adjust end plate as needed to close gaps along reflector.

#### CLEANING INSTRUCTIONS:

Reflector film may be cleaned as needed. To avoid contaminating LED emitters, use only water and/or isopropyl alcohol solution on a clean wash cloth. Other cleaning chemicals could damage LED emitters.

**WARNING:** Ground fixture in according with local and national electrical codes. Failure to do so may result in serious personal injury.