



# Stream™ | Recessed Linear 2" & 4" Veiled Ambient Slot

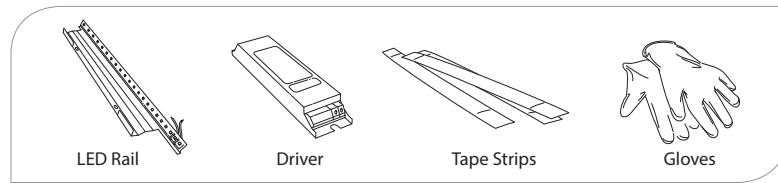
## MAINTENANCE INSTRUCTIONS

### LED & DRIVER REPLACEMENT



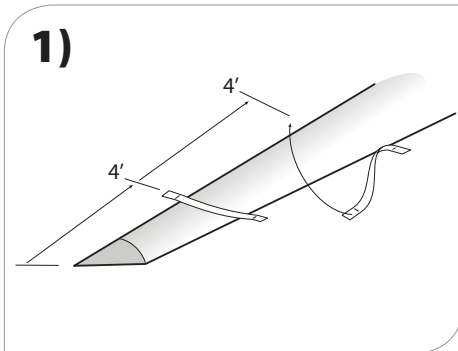
PRUDENTIAL LTG.

PRULITE.COM 213.746.0360

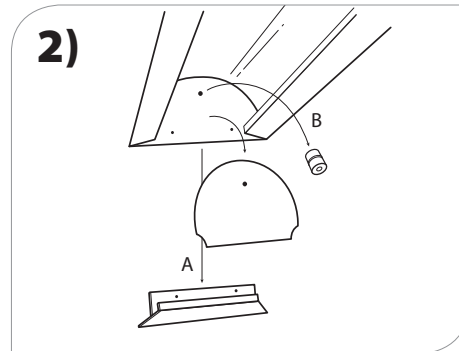


REFLECTOR  
INSTALLATION  
VIDEO

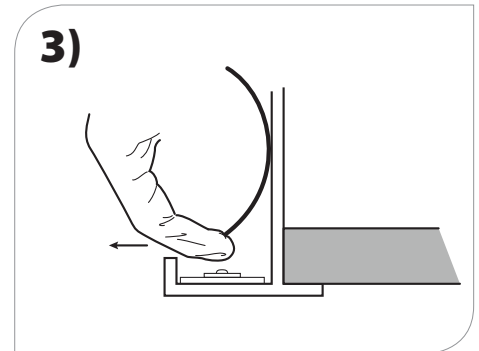
### PLEASE READ THE FOLLOWING INSTRUCTIONS CAREFULLY:



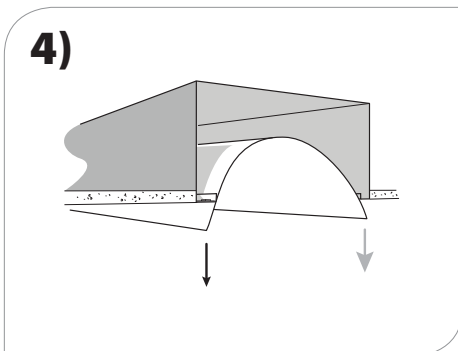
**1)** Locate faulty LED Rail or Driver. Starting at nearest end of row, attached tape strips approx 4' beyond faulty equipment.



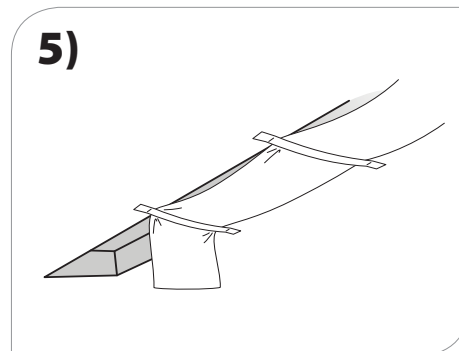
**2)** Remove end plate, magnet and end trim (when possible).



**3)** Use gloves provided. Gently lift bottom edge of reflector and remove from housing.



**4)** **USE GLOVES PROVIDED.** Pull reflector over entirety of housing row. Tighten roll to remove excess slack. Clamp roll to keep from unrolling.



**5)** Let reflector rest on tape strips

Remove sheet metal cover held on by screws to access wiring. Replace faulty equipment and reinstall all components in reverse order.

**WARNING:** Ground fixture in according with local and national electrical codes. Failure to do so may result in serious personal injury.



Prudential Ltg. reserves the right to change design specifications or materials without notice. Please visit prulite.com for most current data.  
© 2015 All rights reserved – All products manufactured at: Prudential Ltg. 1774 E. 21st Street, Los Angeles, CA 90058