

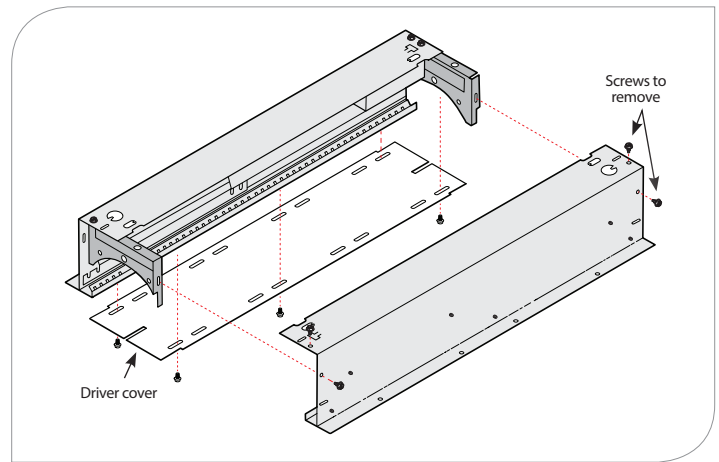
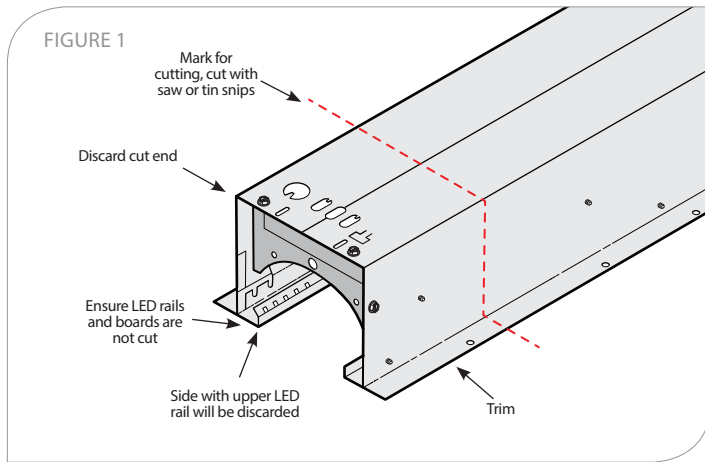


NOTES

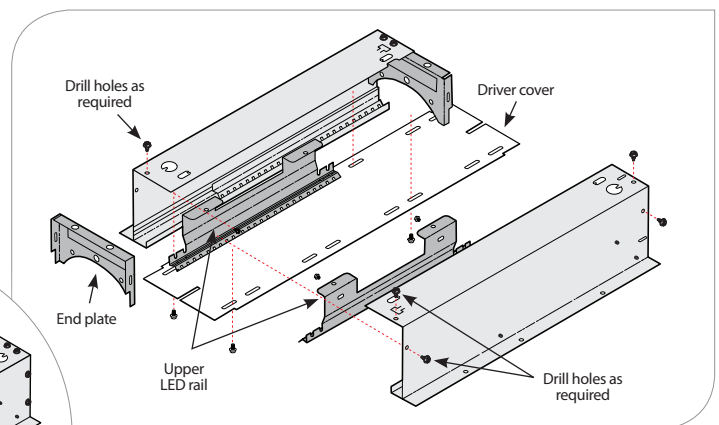
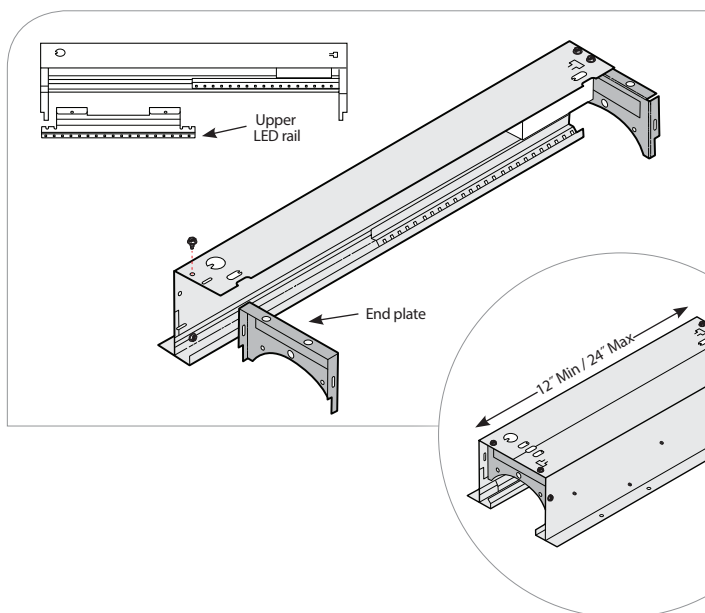
1. See row diagram or Prudential Lighting plan layout (if provided). Begin all row mounting from left to right (see arrows).
2. Depending upon ceiling or wall construction reinforcement may be required at mounting locations.
3. Continuous row: Install one fixture section at a time.
4. Filler length 12" min/ 24" max. Filler may be powered from previous fixture.

GENERAL INSTALLATION

1. Determine filler location and measure length of filler needed. Mark cut line around housing (Discard side as indicated in figure 1).
2. Remove driver cover. Remove outside screws on one side to separate filler into halves lengthwise.



3. Remove end plate and driver cover support tabs from filler bodies.
4. Remove upper LED rails from filler bodies (May require loosening electrical connectors)
5. Cut filler bodies, trims and driver cover to required length and discard unneeded ends. (See Figure 1).
6. Align upper LED rails to cut end of filler and drill holes for #6 screws as required to install upper LED rails and end plates. LED boards will overlap.
7. Rewire LED boards and reassemble filler by reversing steps 2-4.



WARNING: Ground fixture in accordance with local and national electrical codes. Failure to do so may result in serious personal injury.