



# P9000 | Recessed



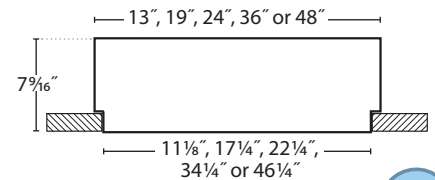
PRUDENTIAL LTG.

PRULITE.COM 213.746.0360



Type:

Job:



CLICK HERE

		LO	MO	SO	HO
12":	lm	550	700	1100	1400
	w	14	18	28	35
18":	lm	950	1650	1950	2150
	w	19	33	39	47
2":	lm	2100	3150	3900	5300
	w	35	54	67	97
3":	lm	4500	7000	9000	13275
	w	56	87	113	177
4":	lm	7000	8800	13900	21000
	w	88	110	174	281

## Clean, radiant, celestial, at times almost invisible.

P9000 – a slimmer, refined version of P8900 – minimal 7/16" trim or trimless with flush lens that melts into its environment. Optional drop down lens creates a playful 'bubble-like' effect.

**Low Output:**  
**P9040-LED35-LO-FWA**  
 7017 Delivered Lumens  
 88 Watts  
 80 lm/w

Perfect partner to our P4000 Sky Oculus pendant.



Lumen output may vary +/- 5% 3500K used for lm/ft estimates above 4000K +2% If, 3000K -2%, 2700K -4% -10% LLF for 90 CRI (4K, 3500K and 3K)

See LED Details PDF for more info

SERIES	LED COLOR	OUTPUT	SHIELDING	TRIM COLOR	CIRCUITING	VOLTAGE	CEILING SYSTEMS	DRIVERS	OPTIONS
P9012 12" Dia.	LED27 2700K (90CRI)	LO Low	FWA Flush-Flat White Acrylic Lens (Standard)	TMW Textured Matte White (Standard)	SC Single Circuit	UNV (120-277)	X1 T-Bar Exposed	ND Non-Dimming	EML Emergency Battery, Low (P9018: 400; P9020: 500; P9030 & P9040: 900 delivered lumens)
P9018 18" Dia.	LED3 3000K	MO Medium	DWA Drop White Acrylic Lens (Flat lens dropped 1" below ceiling plane)	YGW Gloss White		347 (Emergency battery requires a Step Down transformer)	X3 Hard Ceiling (Flange Trim)	DM10 0-10v, 10% Dimming (Standard)	EMH Emergency Battery, High (NA 12," 18" and 2", P9030 & P9040: 1250 delivered lumens)
P9020 2" Dia.	LED35 3500K	SO Standard		Y Premium Color			X7 Hard Ceiling (Trimless Mud-over Flange)	DM01 0-10v, 1% Dimming	CP Chicago Plenum
P9030 3" Dia.	LED4 4000K	HO High		CC Custom Color				STEP Step Dimming, 100-50-Off, Osram	PRUBIN Meticulous Binning and Labeling every LED Board within a 2-step MacAdams Ellipse
P9040 4" Dia.	LED3-90 90CRI LED35-90 90CRI LED4-90 90CRI	PROG Program- mable Light Output (Specify desired lumens or watts per fixture)						NOTE: Lumens and watts per foot may differ for STEP drivers, consult factory	
								LDES 5%, Lutron (Ecosystem)	
								LDE1 1%, Lutron (Soft Fade to Black, Ecosystem)	
								LTE 1% Forward Phase, 2 Wire, Lutron (120V only)	
								ECO 1% 0-10v, EldoLED	
								ECDA 1% DALI, EldoLED	
								SOLO 0.1% 0-10v, EldoLED (Dim to Dark)	
								SODA 0.1% DALI, EldoLED (Dim to Dark)	



Prudential Ltg. reserves the right to change design specifications or materials without notice. Please visit prulite.com for most current data. © 2014 All rights reserved - All products manufactured at: Prudential Ltg. 1774 E. 21st Street, Los Angeles, CA 90058

Sky Oculus Series

1

11-28-2018



# P9000 | Recessed

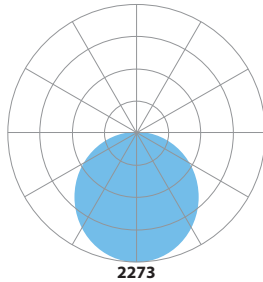


PRUDENTIAL LTG.

PRULITE.COM 213.746.0360

## PHOTOMETRICS

**Low Output:**  
**P9040-LED35-LO-FWA**  
 7017 Delivered Lumens  
 88 Watts  
 80 lm/w  
 3500 CCT  
 Test #L041411805



**Zonal Lumen Summary:**  
 0-90 = 100%

Vertical Angle	0°	22.25°	45°	67.5°	90°
0°	2273	2273	2273	2273	2273
5°	2260	2260	2260	2260	2260
15°	212	212	212	212	212
25°	2005	2005	2005	2005	2005
35°	1773	1773	1773	1773	1773
45°	1484	1484	1484	1484	1484
55°	1150	1150	1150	1150	1150
65°	807	807	807	807	807
75°	440	440	440	440	440
85°	131	131	131	131	131
90°	0	0	0	0	0

### Luminance Chart:

Angle	0°	45°	90°
45°	1959	1959	1959
55°	1871	1871	1871
65°	1782	1782	1782
75°	1587	1587	1587
85°	1403	1403	1403

## LUMEN MAINTENANCE

Designed to last with cool running mid-power LEDs projected to maintain 90% (L90) of their initial output for 100,000 hours (at HO), and L70 exceeding 150,000 hours.

**LED SYSTEM** LED modules and drivers are field replaceable.

**PROG** (OPTIONAL) Programmable light output. Specify desired lumens or watts per fixture.

**BINNING** Standard binning (all Prudential LED boards) includes testing at the chip level and board integration to provide consistent color temperature within a 3-step MacAdams ellipse, with +/- 5% lumen output range and +/- .004 Duv.

**PRUBIN™** (OPTIONAL) Prudential Ltg's exclusive 'job binning' method that ensures color temperature consistency across all luminaires on a project. Meticulously testing and labeling **EVERY LED BOARD** to +/- 25 lumens, +/- 50k CCT and +/- .004 Duv — while also separating positive from negative — allows us to match color, hue and intensity throughout a project and provides a consistent color temperature within a 2-step MacAdams ellipse.

**LABELS** ETL damp labeled and I.B.E.W. manufactured.

**ELECTRICAL** Must specify LED dimming controls. LED fixtures have constant current driver(s) with less than 20% THD when loaded to a minimum of 60%. Drivers sink a maximum of 6mA per driver. DM10 LED drivers are 0-10V dimmable and are compatible with most 0-10V wall slide dimmers and direct 0-10V analog signal dimmers. Max driver size 1.25" w x 1" h.

## CONSTRUCTION

**Housing** Die-formed 20-gauge steel, >20% PC recycled, 100% recyclable.

**Lens** Thermoformed acrylic, 100% recyclable.

**MOUNTING** Recessed mounted into T-bar or hard ceiling applications.

**WARRANTY** Single-source, 5 year limited warranty covers standard components and construction.

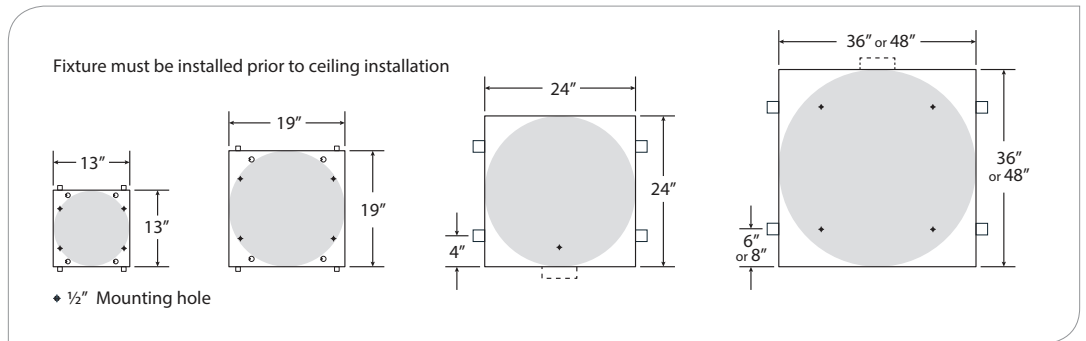




YSW – Seashell White (Matte)	YCH – Champagne (Metallic)
YSL – Silver (Metallic)	YPE – Pewter (Matte)
YRG – Rain Grey (Gloss)	YSTM – Storm Grey (Matte)
YBK – Black (Matte)	YBB – Black (Semi Gloss)
YSKM – Sky (Matte)	YMB – Military Blue (Matte)
YIB – Interstate Blue (Matte)	YSAM – Sapphire (Matte)
YFGM – Forest Green (Matte)	YBR – Bronze (Matte)
YBY – Boysenberry (Matte)	YSRM – Sunset Red (Matte)
YOR – Orange (Matte)	YDAM – Daffodil (Matte)



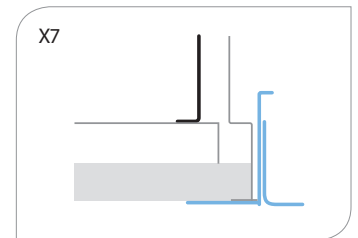
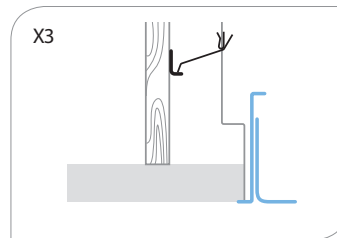
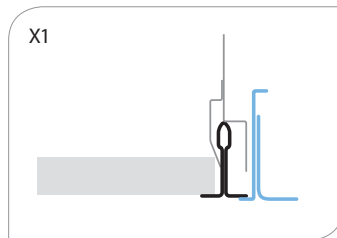
**MOUNTING LOCATIONS**



Choose from one of our Premium Colors with no set-up fee.

For paint chip samples, please email: [info@prulite.com](mailto:info@prulite.com)

**CEILING SYSTEMS**



**COMPLIMENTARY FIXTURES**

