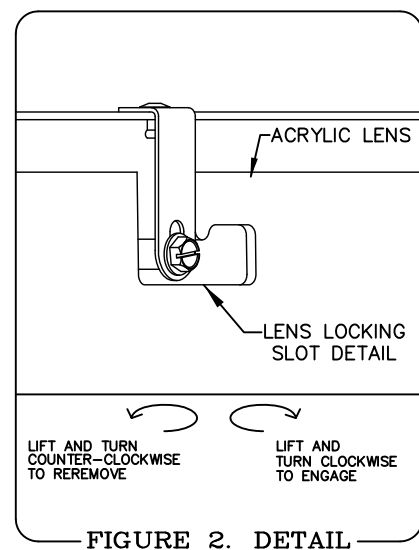
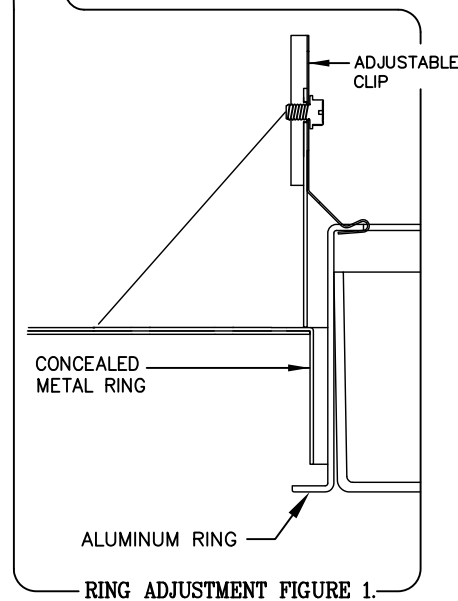
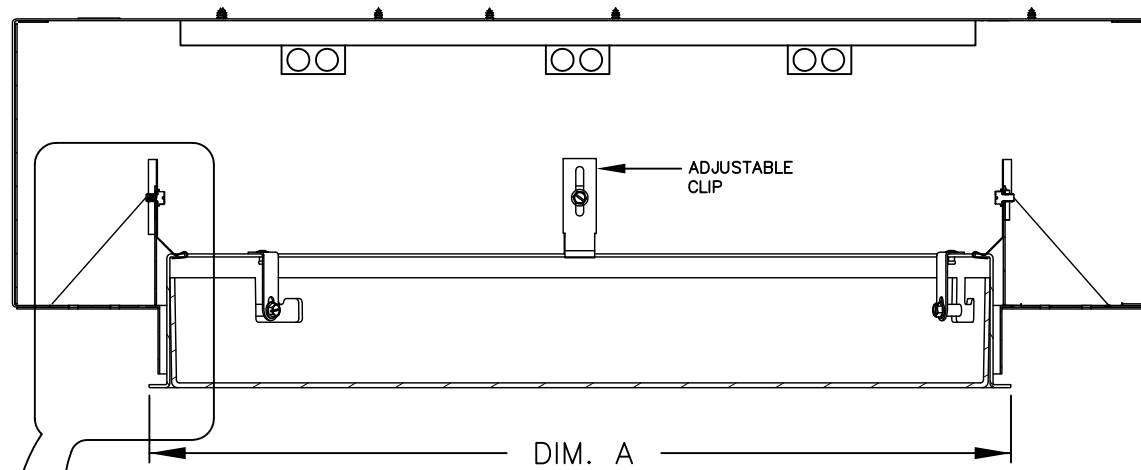


P9000 SERIES HARD CEILING INSTALLATION INSTRUCTIONS



GENERAL NOTES

1. FIXTURE SHOULD BE INSTALLED PRIOR TO CEILING INSTALLATION.
2. INSTALL HOUSING AS LEVEL AS POSSIBLE BEFORE PROCEEDING TO DRY WALL OR GYPSUM BOARD INSTALLATION.
3. ALTHOUGH METAL STUD INSTALLATION IS FEASIBLE IRON "C" CHANNEL INSTALLATION IS BETTER SUITED FOR FINAL LEVELING ADJUSTMENT (SEE DETAIL 3).

METAL STUD MOUNTING

1. SQUARE OPENING OF METAL STUD FRAME SHOULD BE 3/8" LARGER THAN O.A. SQUARE HOUSING DIMENSION. (SEE OPENING DETAIL FIGURE 5 CHART FOR VARIOUS METAL STUD OPENINGS.)
2. RAISE SQUARE HOUSING UPWARD INTO ROUGHED IN OPENING. FROM HOUSING INTERIOR DRIVE TEK SCREWS THROUGH WALL OF HOUSING AND METAL STUDS. DISTANCE BETWEEN BOTTOM OF METAL STUD AND BOTTOM OF CONCEALED METAL RING SHOULD BE 1-1/2". (SEE FIGURE 3.)
3. FASTEN SUPPORT TABS ON EACH CORNER WITH #8 SHEET METAL SCREWS PROVIDED. TIE FIXTURE SUPPORT TABS TO STRUCTURAL MEMBER. (SEE FIGURE 4 DETAIL.)

IRON "C" CHANNEL

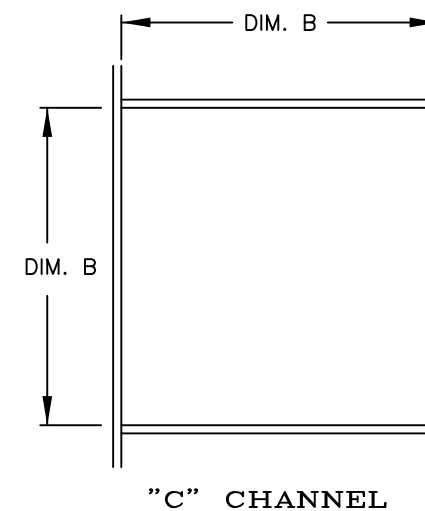
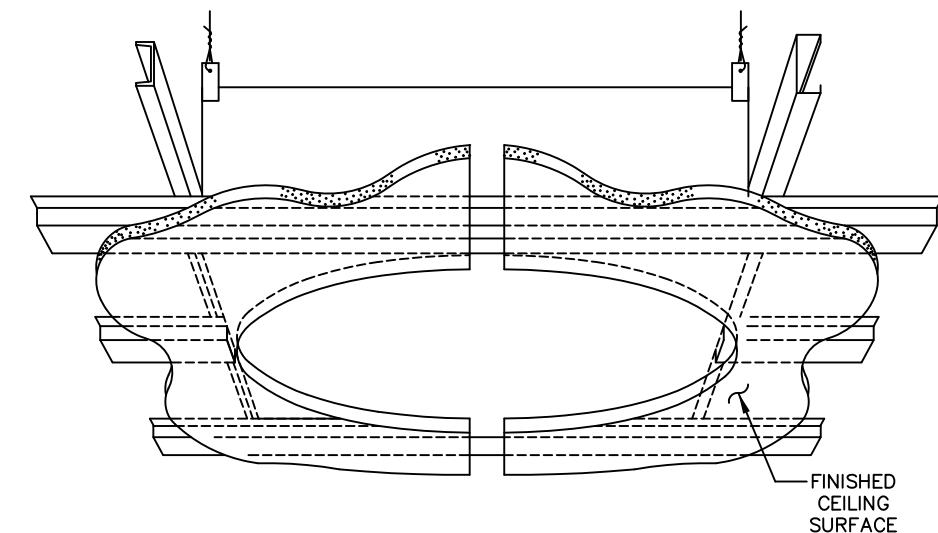
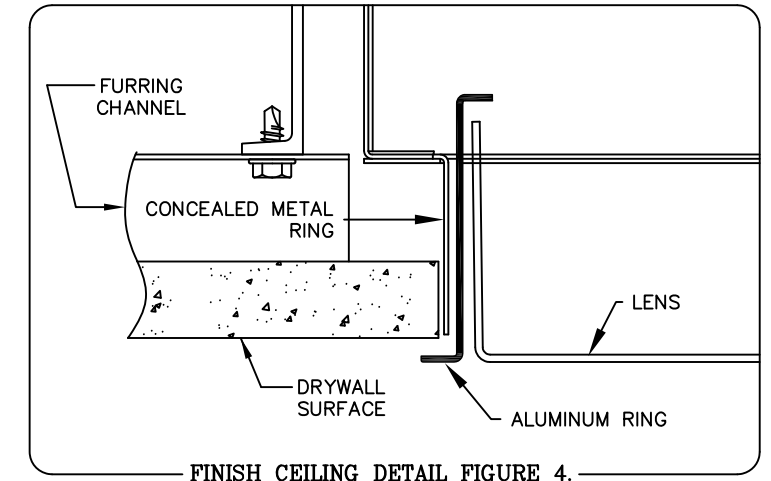
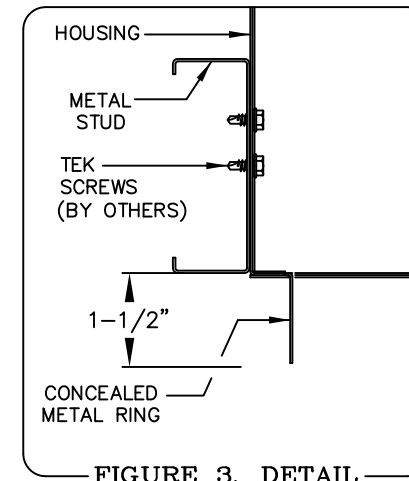
1. SQUARE OPENING OF IRON "C" CHANNEL SHOULD BE 1" LARGER THAN O.A. SQUARE HOUSING DIMENSION. (SEE OPENING DETAIL FIGURE 5 CHART FOR VARIOUS "C" CHANNEL OPENINGS.)
2. RAISE SQUARE HOUSING UPWARD INTO ROUGHED IN OPENING. FROM HOUSING INTERIOR, INSERT CHANNEL CLAMP THROUGH FOUR LOWER HORIZONTAL SLOTS. CLAMP MUST SIT ON TOP OF "C" CHANNEL. DISTANCE BETWEEN BOTTOM OF "C" CHANNEL AND BOTTOM OF CONCEALED METAL RING SHOULD BE 1-1/2". TIGHTEN CHANNEL CLAMP IF FINAL LEVELING ADJUSTMENT IS REQUIRED. (SEE FIGURE 3 DETAIL.)

BEFORE INSTALLATION

1. REMOVE LENS BY TURNING BODY RIGHT SIDE UP AND LET LENS FALL OUT. IF LENS DOES NOT FALL OUT, GENTLY PUSH UP ON LENS AND ROTATE COUNTER CLOCK-WISE (SEE FIG. 2 DETAIL). DO NOT ATTEMPT TO REMOVE RING.
2. LOWER RING BY LOOSENING SCREWS (DO NOT REMOVE) ON ADJUSTABLE CLIPS LOCATED IN BODY OF FIXTURE. SLIDE RING TO LOWEST POSITION AND TIGHTEN SCREWS.

FINISH CEILING SURFACE

1. ATTACH FURRING CHANNEL OR OTHER SUITABLE MATERIAL TO IRON "C" CHANNEL OR METAL STUD.
2. PREPARE OPENING IN DRYWALL OR GYPSUM BOARD (SEE FIG. 5 FOR CUT DIAMETER). CEILING BOARD MUST BE INSTALLED IN TWO SECTIONS TO CLEAR ALUMINUM RING.
3. MOUNT DRYWALL OR GYP. BOARD TO FURRING CHANNEL. TAPE AND COMPOUND AS REQUIRED.
4. RAISE ALUMINUM RING BY LOOSENING SCREWS ON ADJUSTABLE CLIPS AND SLIDING RING UPWARDS UNTIL SNUG WITH CEILING. TIGHTEN SCREWS.



NOTE: ALUMINUM TRIM RING HAS MINIMAL FLANGE. HOLE DIAMETER MUST BE PRECISELY CUT. PRUDENTIAL RECOMMENDS UNDERCUTTING BY 1/16" AND SHAVING TILE AS NEEDED TO FIT AROUND CONCEALED RING.

FIG. 5 VARIOUS OPENING CHART

VARIOUS OPENING CHART				
HOUSING DIM. A	ALUMINUM RING DIA.	"C" CHANNEL OPENING DIM. B	METAL STUD DIMENSION	CEILING BOARD OPENING DIA.
19" SQUARE	18-1/8"	20"	19-3/8"	17-3/4"
2' SQUARE	23-1/8"	25"	24-3/8"	22-3/4"
3' SQUARE	35-1/8"	37"	36-3/8"	34-3/4"
4' SQUARE	47-1/8"	49"	48-3/8"	46-3/4"