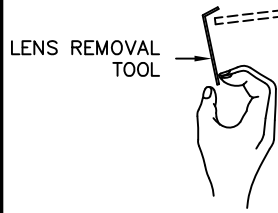
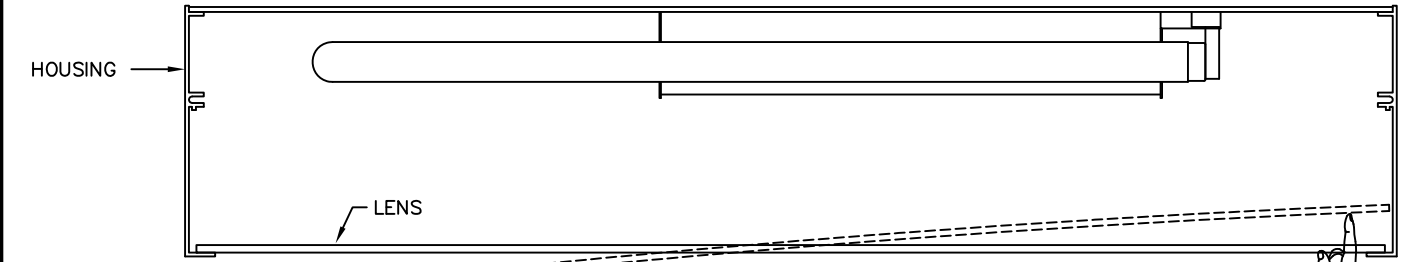


# P4000 SERIES INSTALLATION INSTRUCTIONS

FIXTURES SHIPPED AFTER FEBURARY 2014



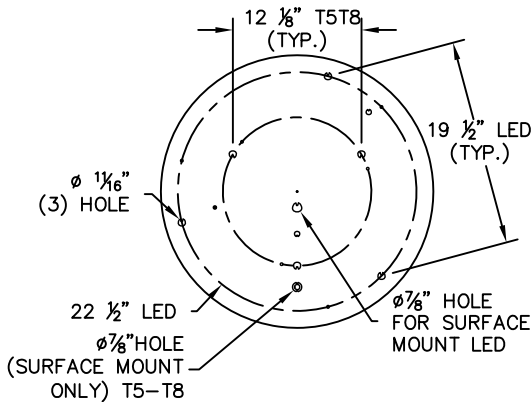
## CROSS SECTION

LIFT AND SHIFT  
LENS INSTALLATION

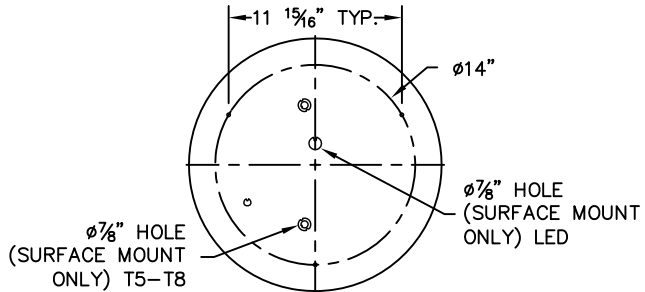
FOR CABLE OR STEM INSTALLATION DETAIL SEE  
INSTALLATION INSTRUCTIONS DRAWING NO. 42076  
42084, 42086.

## FIXTURE MOUNTING

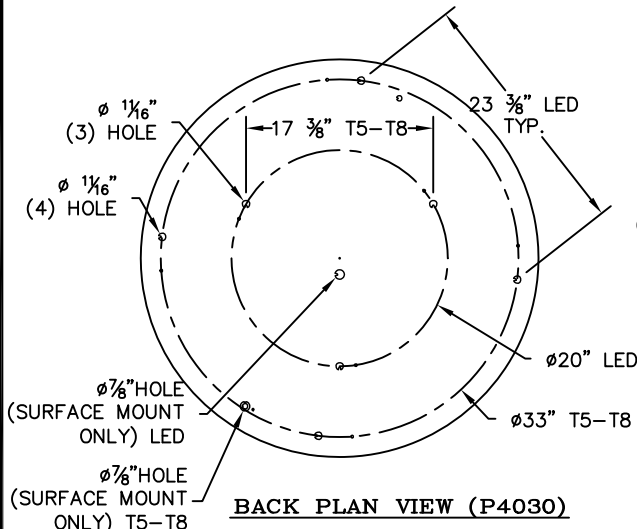
- 1- REMOVE BALLAST OR WIREWAY COVER FOR WIRING AS REQUIRED.
- 2- FOR SURFACE MOUNTED, MOUNT FIXTURE DIRECTLY TO CEILING AT REQUIRED LOCATIONS, FOR CABLE/STEM MOUNTING (SEE GENERAL NOTES). CONNECT ALL NECESSARY WIRES. REINSTALL BALLAST OR WIREWAY COVER.
- 3- LIFT AND SHIFT LENS INTO PLACE.



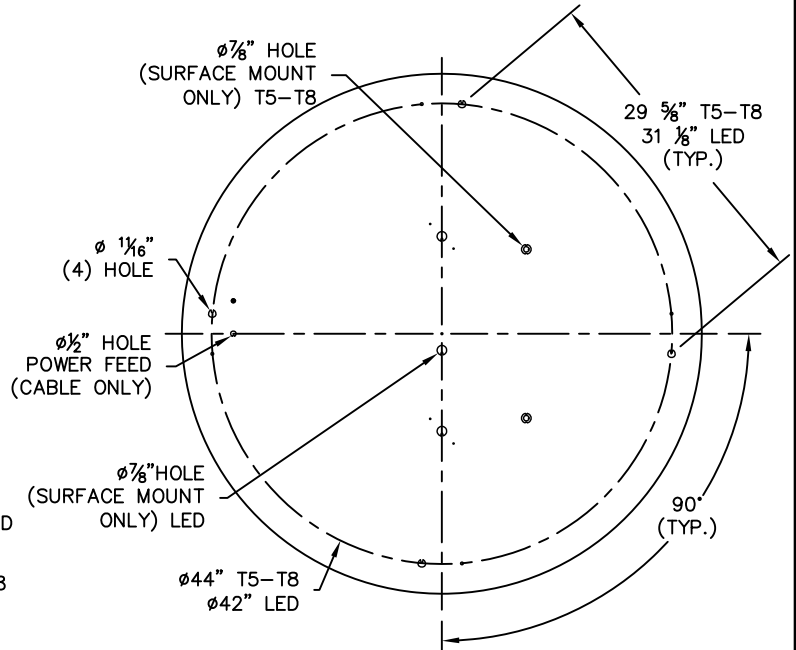
**BACK PLAN VIEW (P4020)**



**BACK PLAN VIEW (P4018)**



**BACK PLAN VIEW (P4030)**



**BACK PLAN VIEW (P4040)**



1774 EAST 21ST STREET L.A. CA 90058  
WWW.PRULITE.COM  
TEL. (213)746-0360 FAX (213)746-8838

DRAWN BY: CK	DATE 03.06.14
CHK.	DATE

DWG. No.	DISK No. VAULT
	REV.