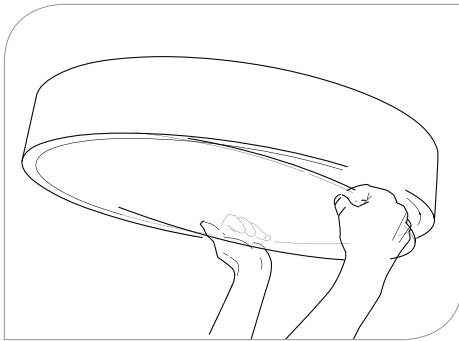
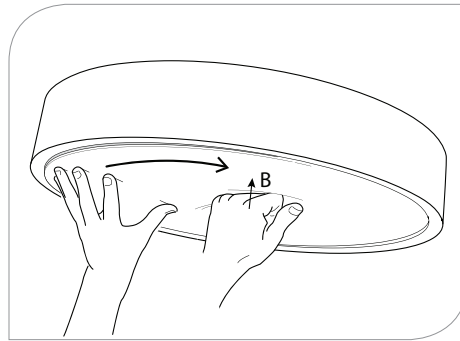




### LENS INSTALLATION

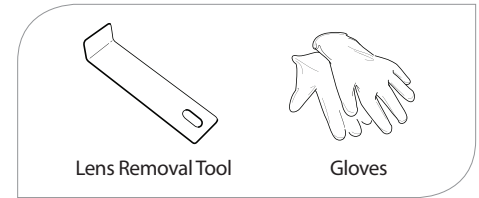


1. Insert lens into fixture at an angle, with leading edge deep into the housing flex lens in middle.

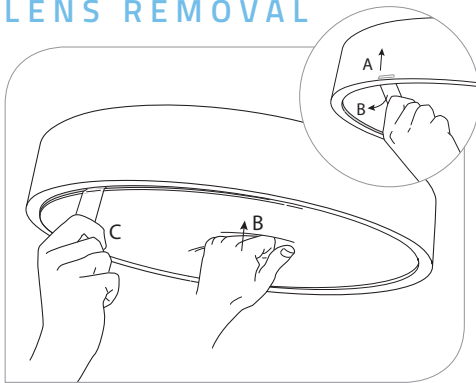


2. Press lens down in middle with one hand while pushing lens in along edge with other.

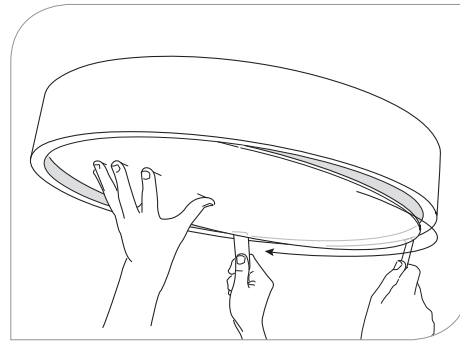
### TOOLS



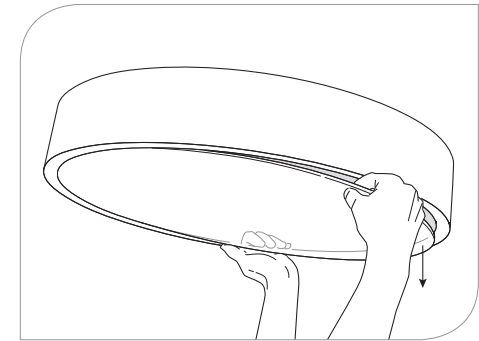
### LENS REMOVAL



1. Insert lens removal tool (A), push lens up in middle of fixture (B) and pull back to pop edge of lens out

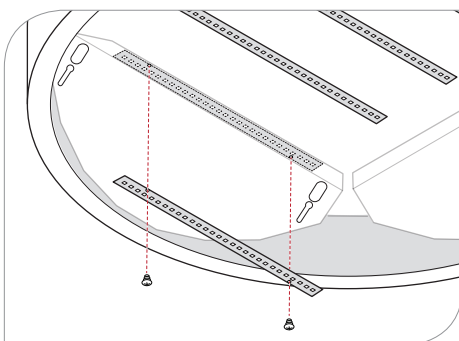


2. Slide tool slowly around rim to release lens (like a can opener)



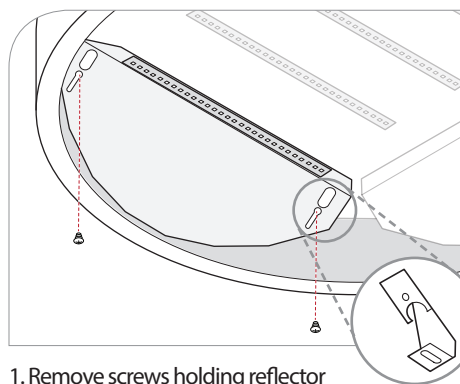
3. When more than 50% of lens is released (below trim), grab with both hands, flex lens in middle and remove

### LED BOARD REMOVAL

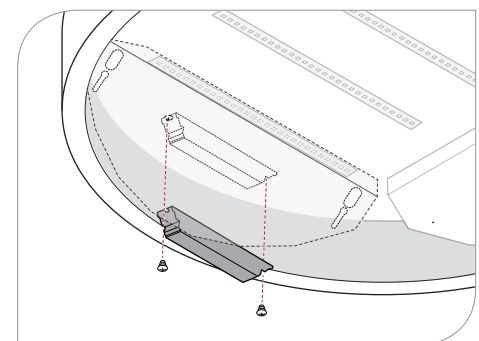


Disconnect the LED module wires from electrical wires. Remove screws holding LED board in place. Lift board from fixture.

### DRIVER REPLACEMENT



1. Remove screws holding reflector in place.



2. Disconnect LED modules wires from electrical wires. Remove screws holding driver in place. Rotate and lift driver out of fixture using quick connectors.

**WARNING:** Ground fixture in according with local and national electrical codes. Failure to do so may result in serious personal injury.

