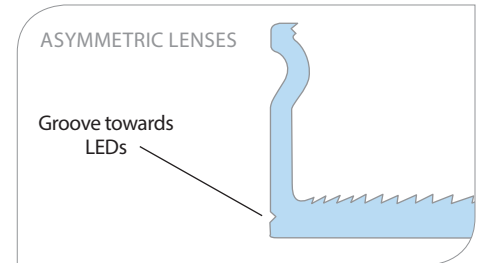




## GENERAL NOTES

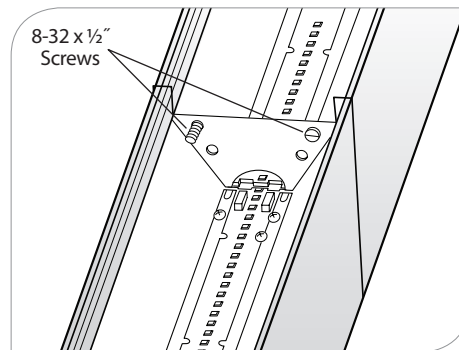
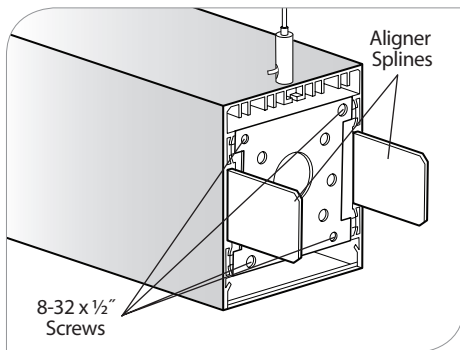
**Continuous row:** Install one fixture section at a time. **DO NOT** assemble fixture row on ground, then hoist up to ceiling. Gaps at the fixture seams can result from this installation method.

1. See row diagram or Prudential Lighting plan layout (if provided). Begin all row mounting from left to right (see arrows).
2. Depending upon ceiling or wall construction reinforcement may be required at mounting locations.
3. Asymmetric fixtures have groove in lens on LED side.
4. Use lens removal tool to remove lens.



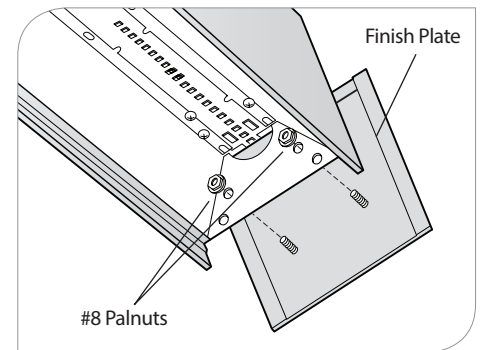
## FIXTURE JOINING

1. Insert aligner splines halfway into first fixture.
2. Align and insert second fixture onto aligner splines.
3. Remove lenses from fixtures.
4. Secure end plates of fixtures together with (4) 8-32 screws. Must remove reflector to gain access to top holes



## FINISH PLATES

1. Insert finish plates into end plate holes at start and end of row and secure with #8 palnuts.
2. Reinstall lenses onto start and end fixtures.

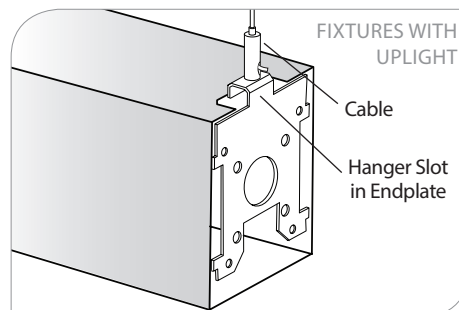
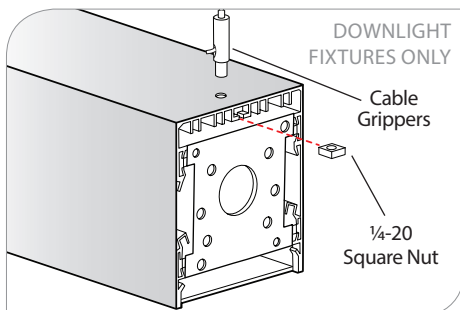


## PENDANT MOUNTING

### CABLE MOUNT:

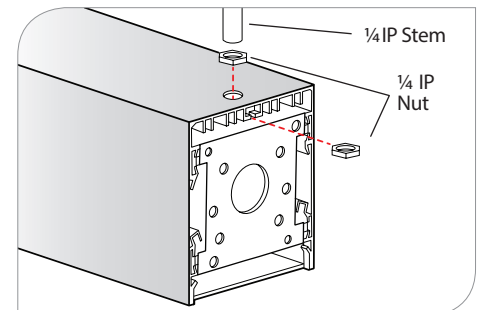
1. Follow directions for standard adjustable cable/cord mounting on ceiling side.
2. Slide square 1/4-20 nut into top groove or under hanger slot to match mounting hole.
3. Screw cable gripper into nut until it bottoms out and adjust height of fixture with cables until row is level.

**NOTE:** Remove reflector (not safety cable), make electrical connections, then reinstall reflector and lens.



### STEM MOUNT:

1. Follow standard directions to install stem and canopy on ceiling.
2. Screw a 1/4 nut onto bottom end of stem.
3. Insert stem into fixture and secure with a 1/4 IP nut inside.



**WARNING:** Ground fixture in accordance with local and national electrical codes. Failure to do so may result in serious personal injury.

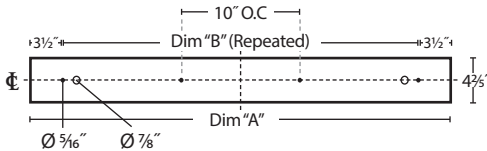


### SURFACE MOUNTING

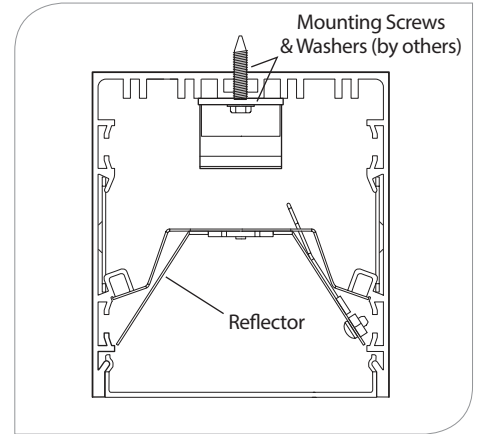
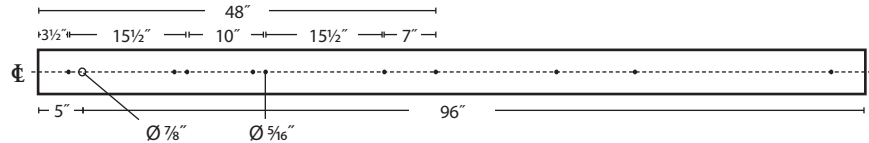
1. Remove reflectors from housing. (**DO NOT REMOVE SAFETY CABLE**).
2. Feed wires into fixture through 7/8" wire hole.
3. Secure housing to surface with mounting screws and washers by others.
4. Make electrical connections.
5. Reinstall reflector and lenses. (Shipped separately).

#### Mounting Dimensions

Overall "A"	# Screws Needed	"B"
2'	4	1'5"
3'	4	2'5"
4'	4	3'5"
6'	4	5'5"
8'	8	3'5"



#### 8FT :

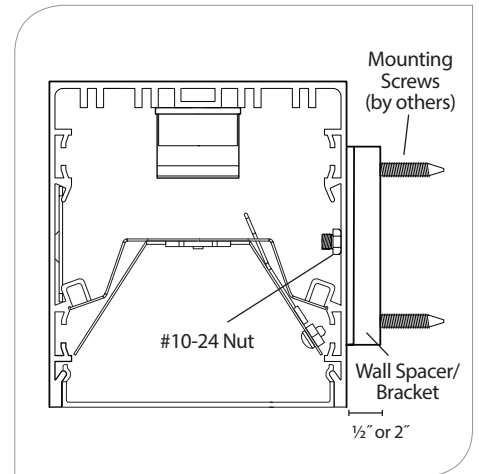
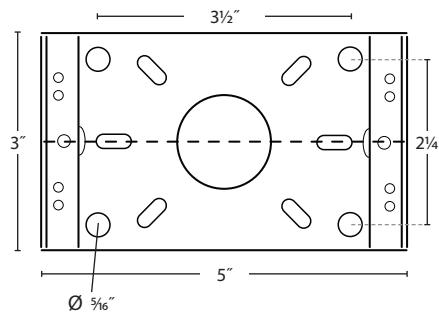


### WALL MOUNTING

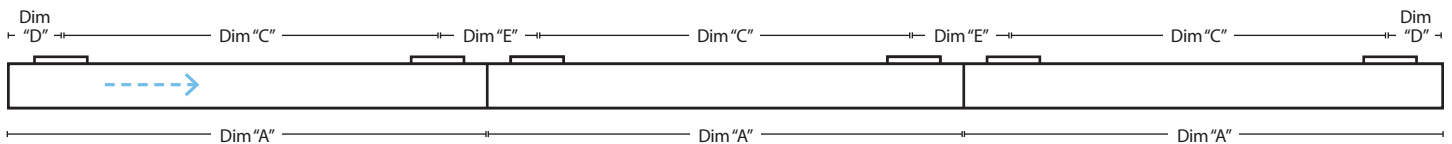
1. Remove bottom reflectors from housing. (Do not remove safety cable)
2. Mount wall spacers/ brackets to J-Box (by others) or to structure surface with screws (by others).
3. Feed wires into fixture through 7/8" wire holes.
4. Secure housing to wall brackets with 2x #10 hex nuts per bracket.
5. Make electrical connections and reinstall reflectors and lenses.

#### Mounting Dimensions

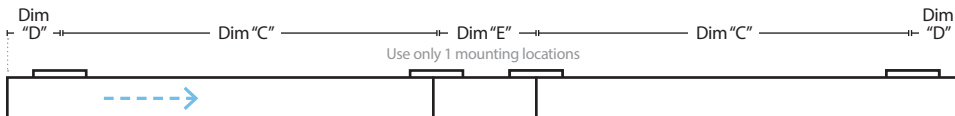
Overall "A"	"C"	"D"	"E"
2'	1'2"	5"	10"
3'	2'2"	5"	10"
4'	3'2"	5"	10"
6'	5'2"	5"	10"
8'	3'2"	5"	10"



#### 2FT-6FT :



#### 8FT :

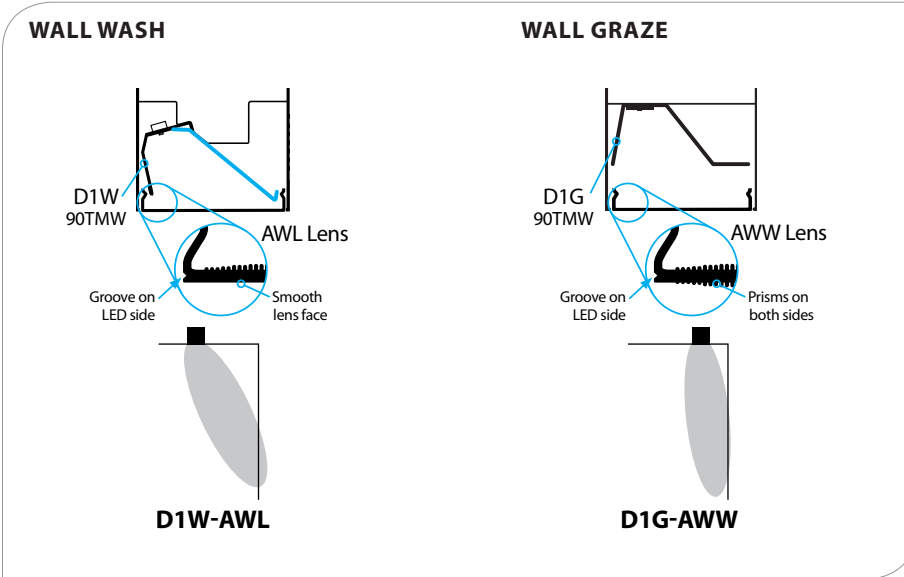


**WARNING:** Ground fixture in accordance with local and national electrical codes. Failure to do so may result in serious personal injury.





## LENS CONFIGURATION



**WARNING:** Ground fixture in accordance with local and national electrical codes. Failure to do so may result in serious personal injury.

